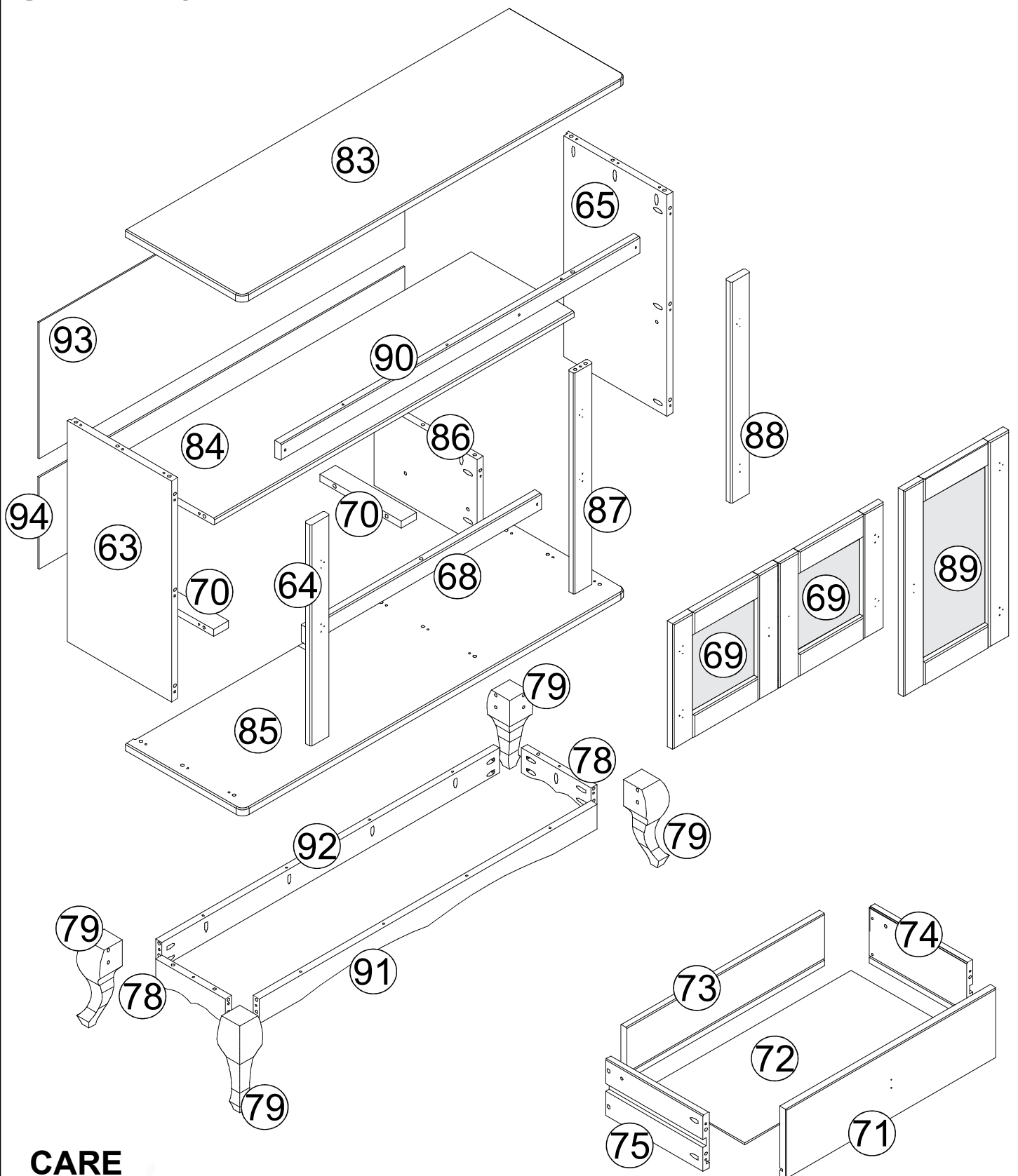


OLI445

OLI446

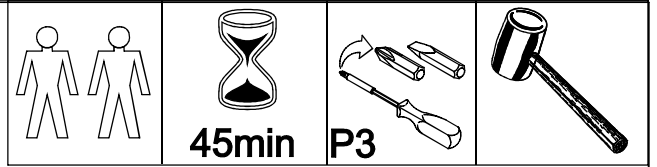


CARE



GLASS

OLI445 OLI446



Thank you for choosing this furniture.

BEFORE YOU START ASSEMBLY please store the carton at room temperature for 48 hours or more so the contents can acclimatise.

PLEASE RETAIN ALL PACKING UNTIL YOU HAVE COMPLETED ASSEMBLY.

Information about your Pine furniture.

Our pine furniture ranges have been carefully crafted from solid wood and wood fiber based composite boards. Each piece of pine has unique characteristics such as knots, variances in shading and graining. These are part of the natural character of the furniture itself.

Caring for your Pine furniture.

Extreme temperature can cause slight movements in the wood itself so please avoid placing your furniture close to radiators or other direct sources of heat. Humidity should also be avoided.

Please avoid exposing your furniture to continued bright sunlight as it can affect the colour.

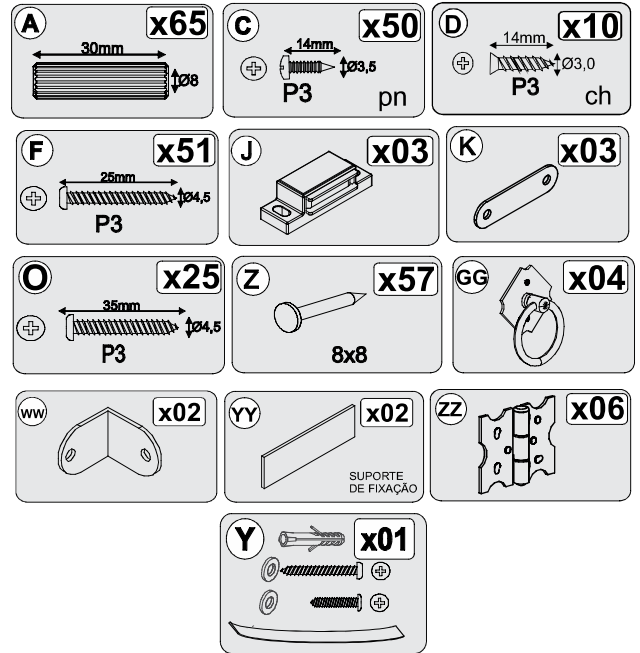
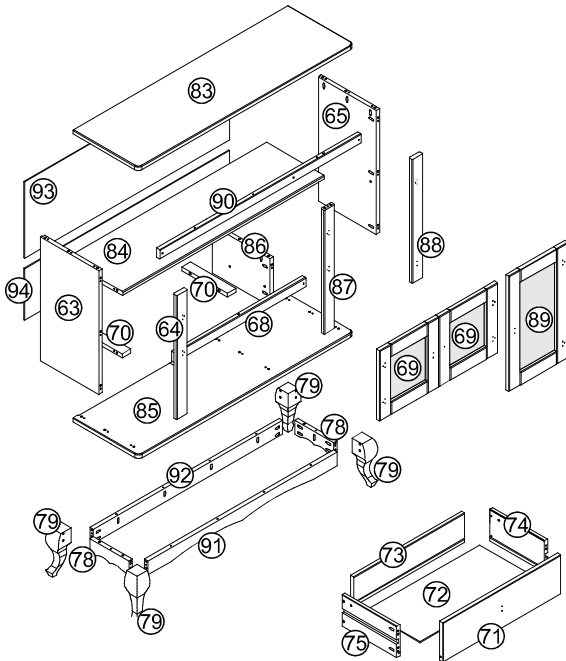
Any fluid spills should be removed as quickly as possible.

Always lift your furniture when moving as dragging may cause damage to your furniture or flooring.

After care.

Wipe the surfaces with a dry cloth and occasionally apply household furniture polish. For the models with drawers, we also recommend you use household spray polish occasionally on drawer grooves and runners as this will aid use. Please do not use detergents or chemicals on your furniture.

PARTS LIST



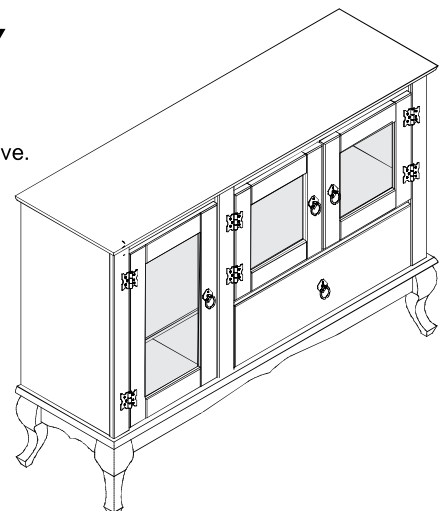
BEFORE YOU START ASSEMBLY

Please check that you have all the correct parts and fittings as detailed in the Parts List above.

For assistance, please email us at: cs@furnishedash.com

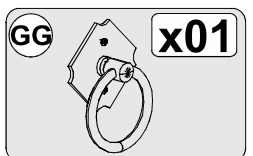
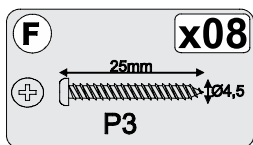
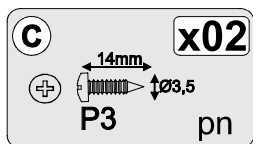
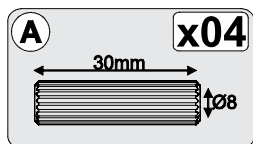
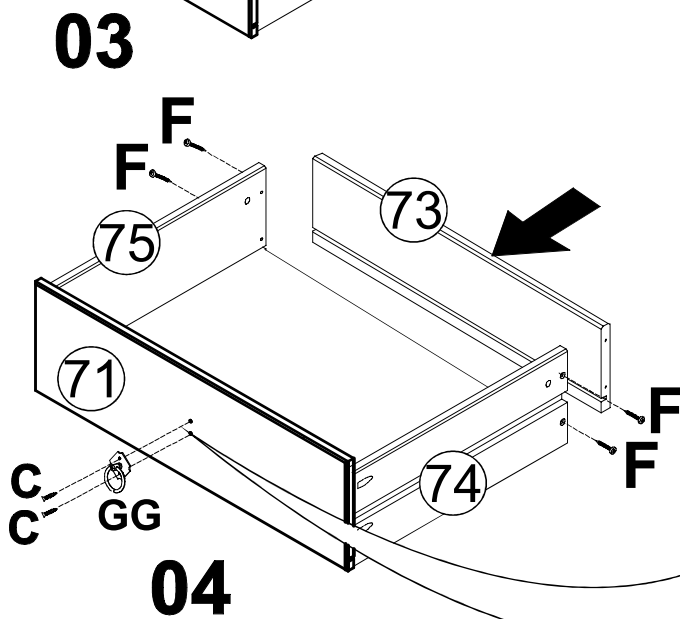
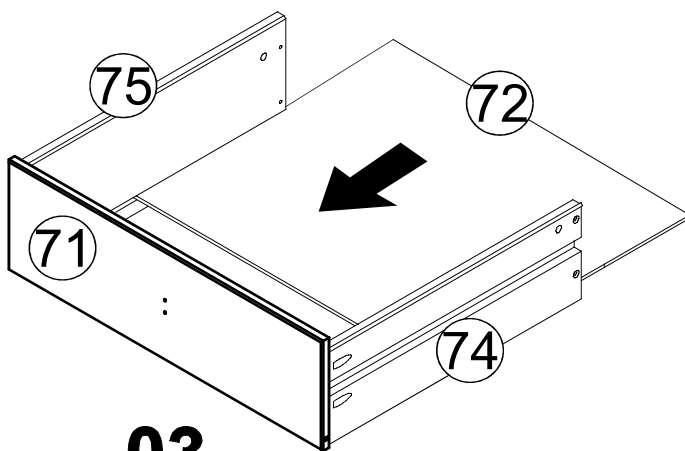
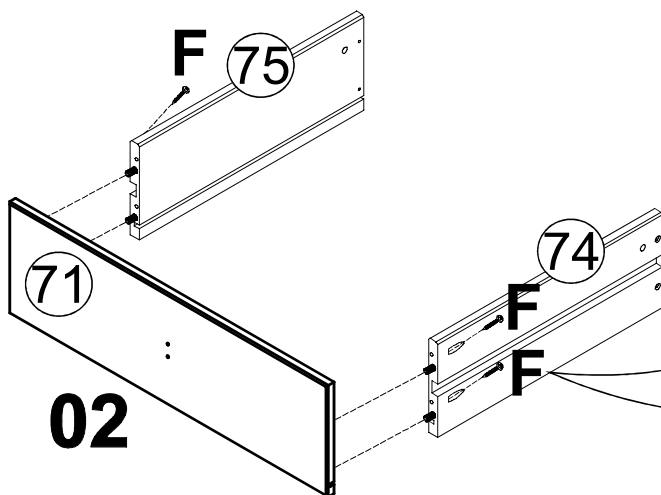
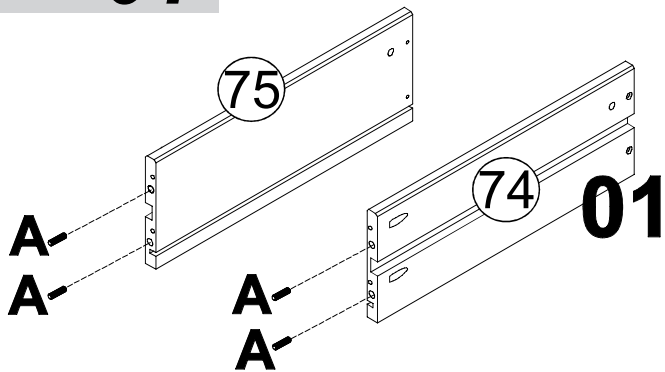
BATCH NUMBER

2024-1473

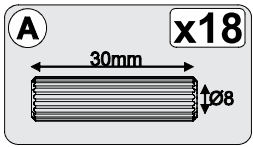
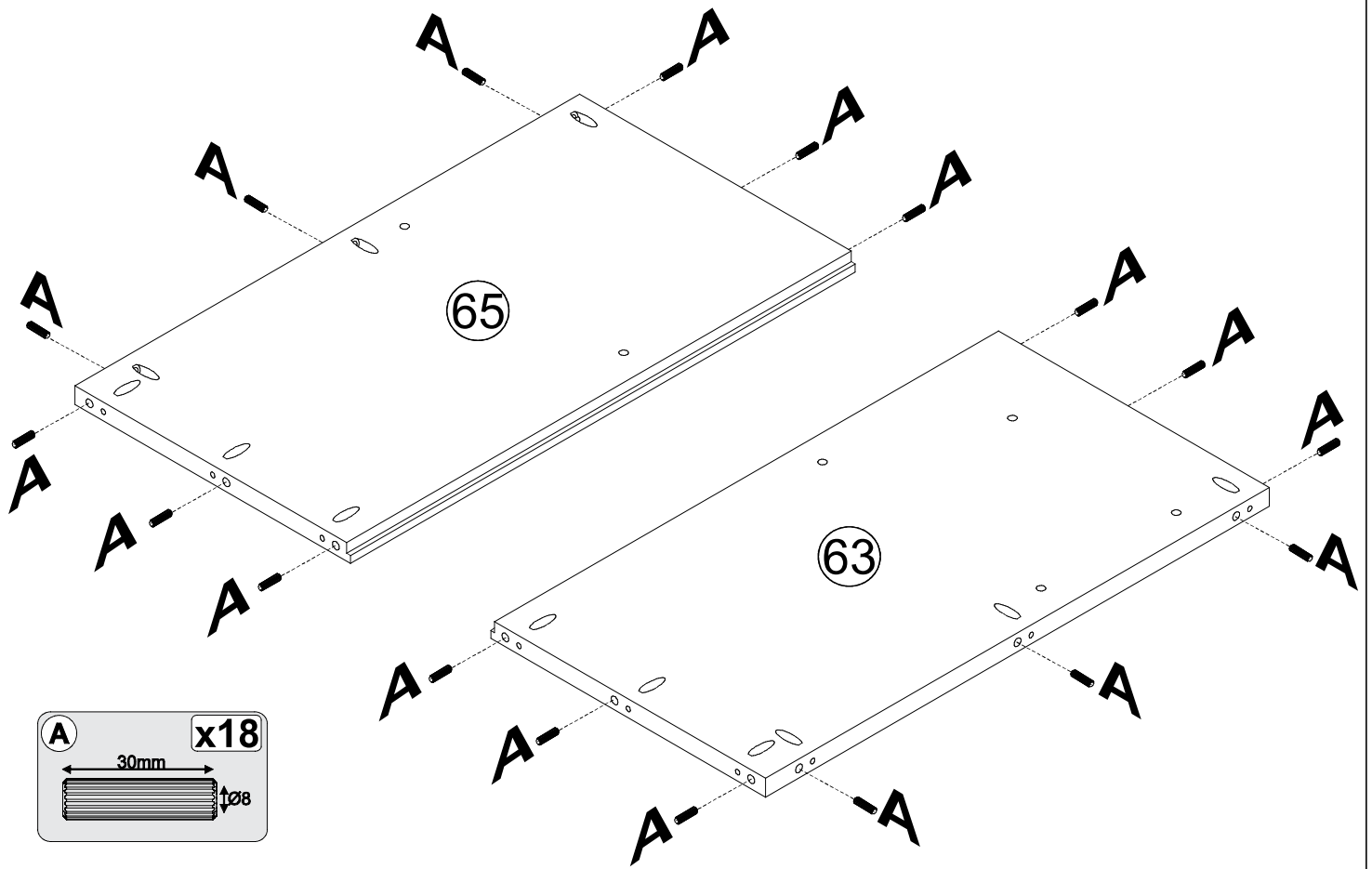


PLEASE RETAIN THIS INSTRUCTION SLEAFLET FOR FUTURE REFERENCE.

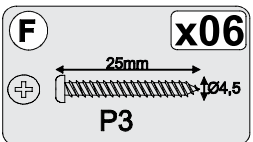
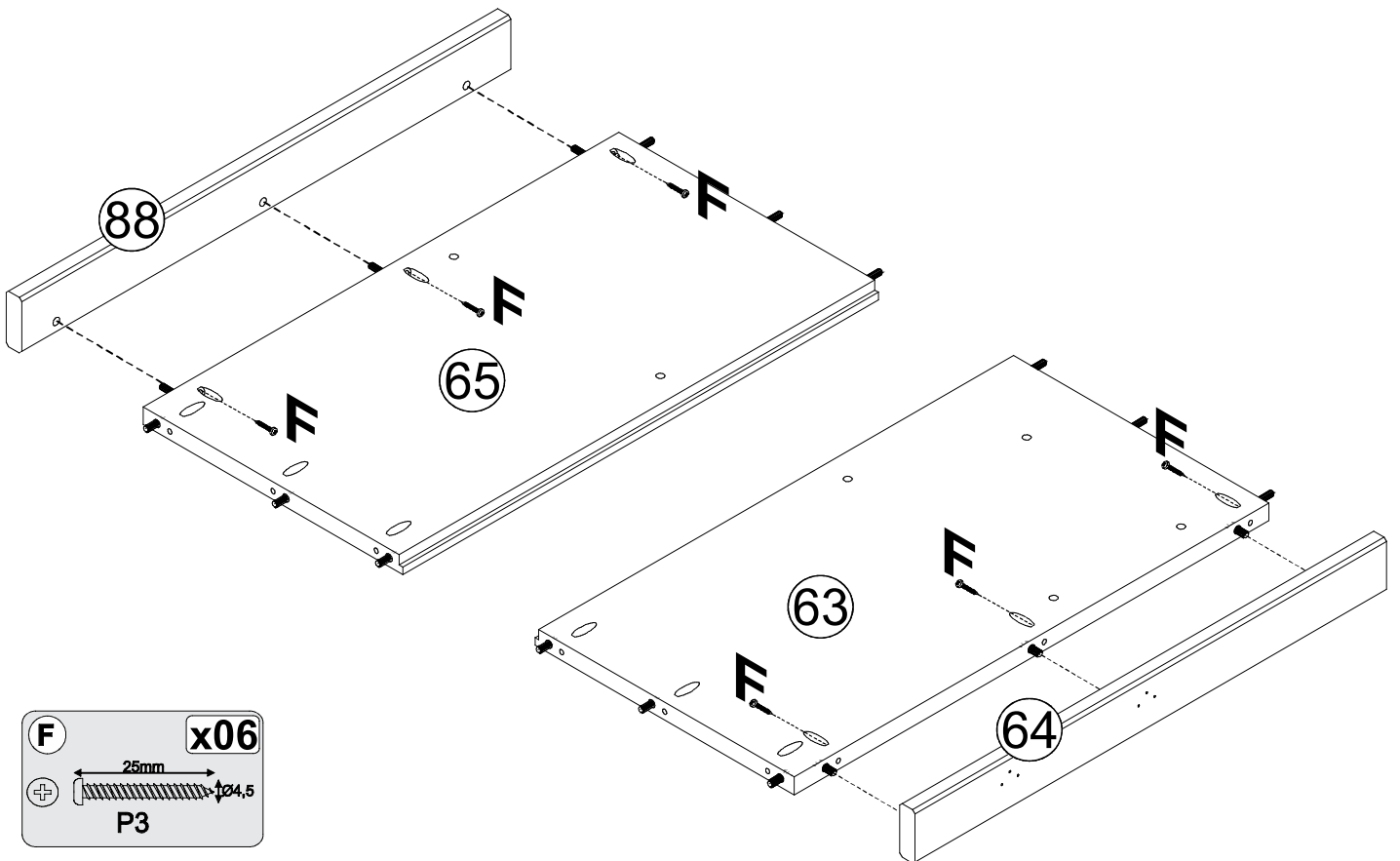
01



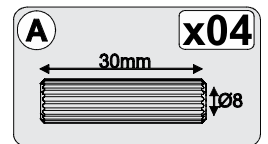
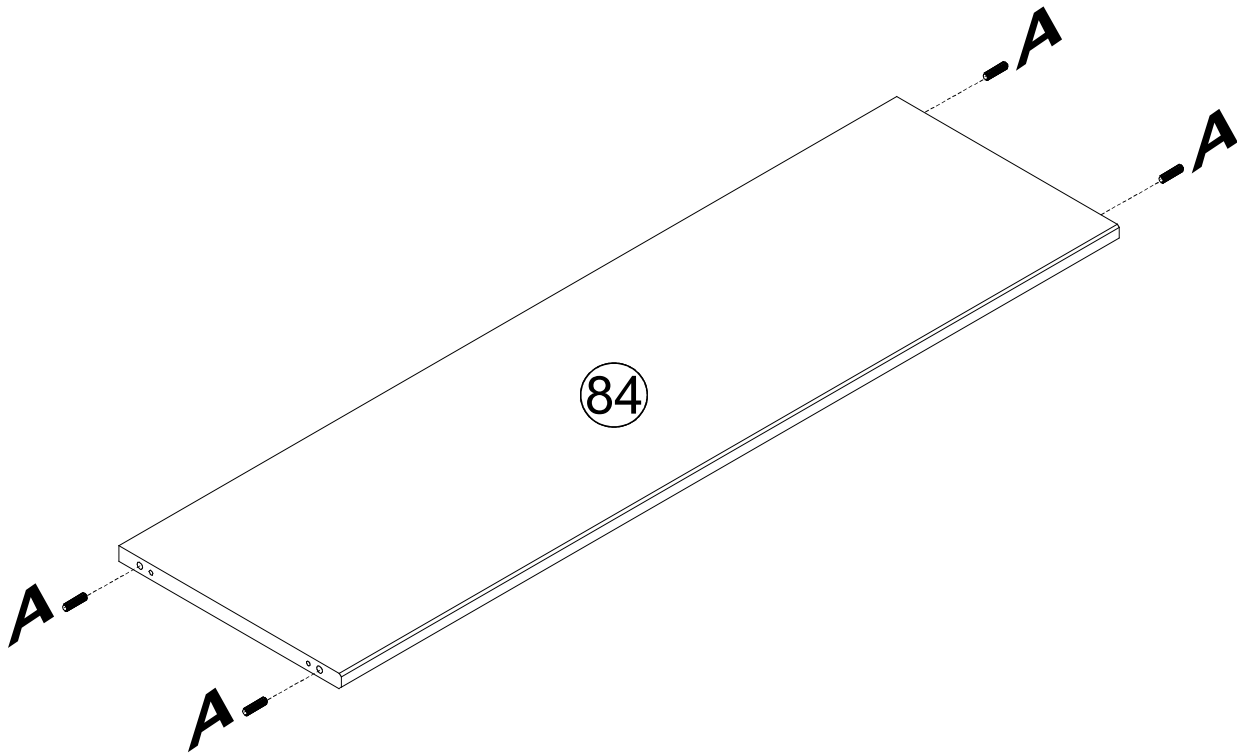
02



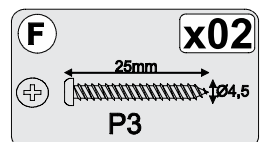
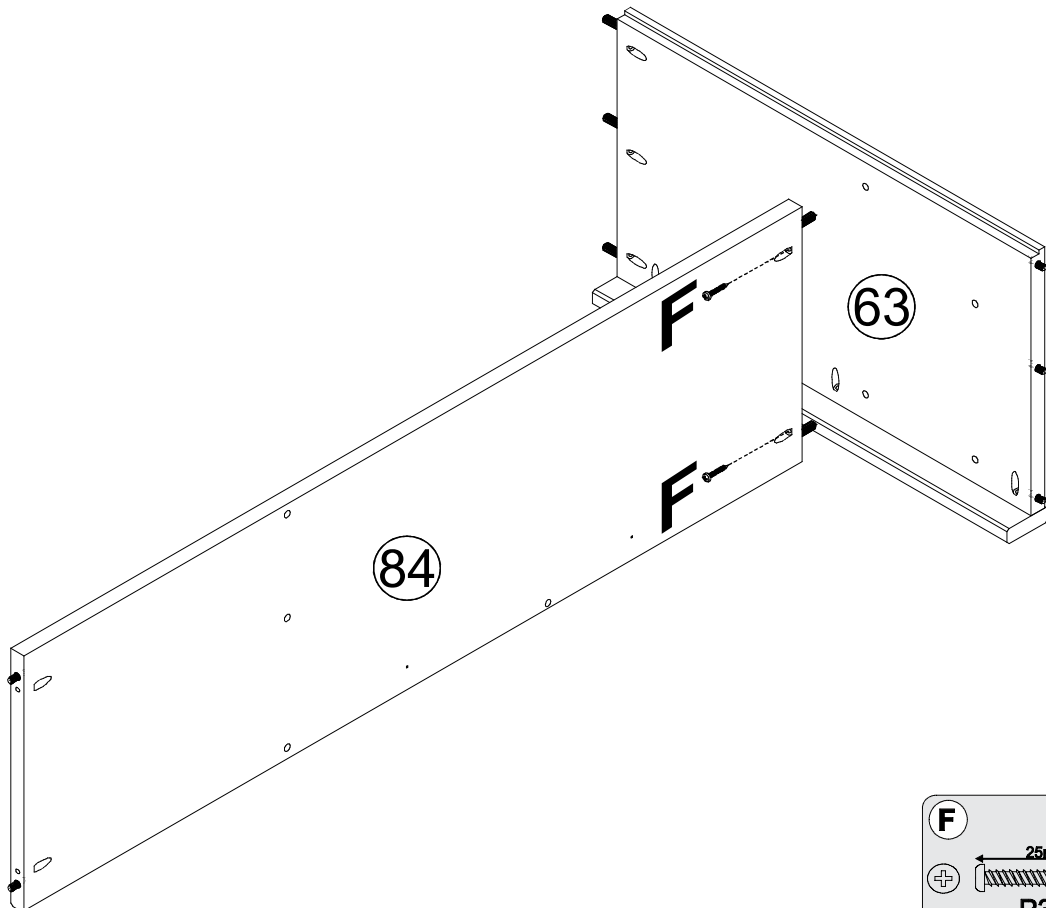
03



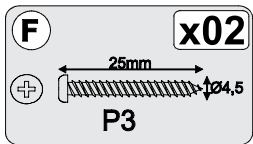
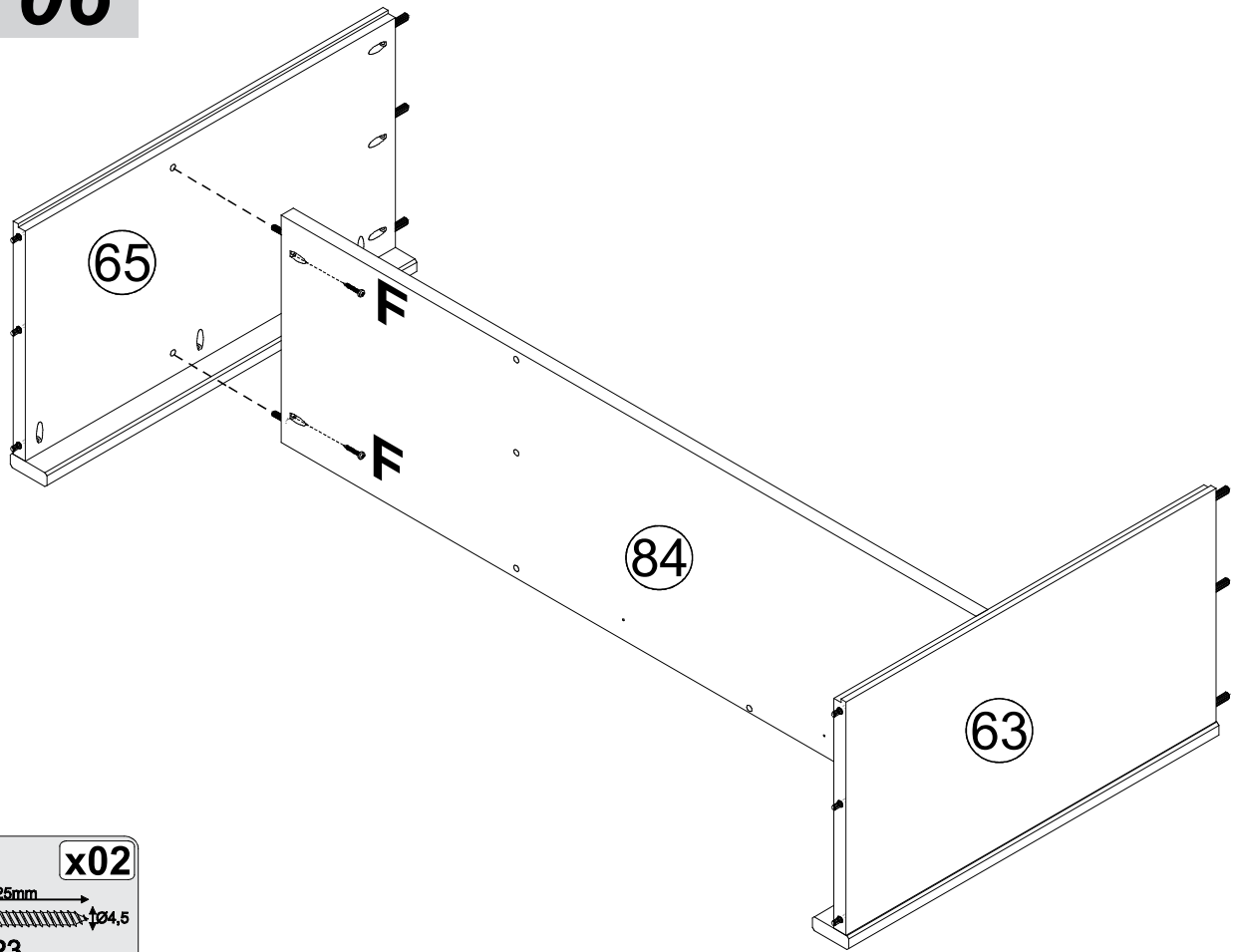
04



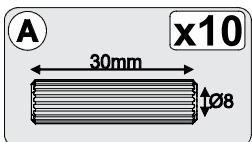
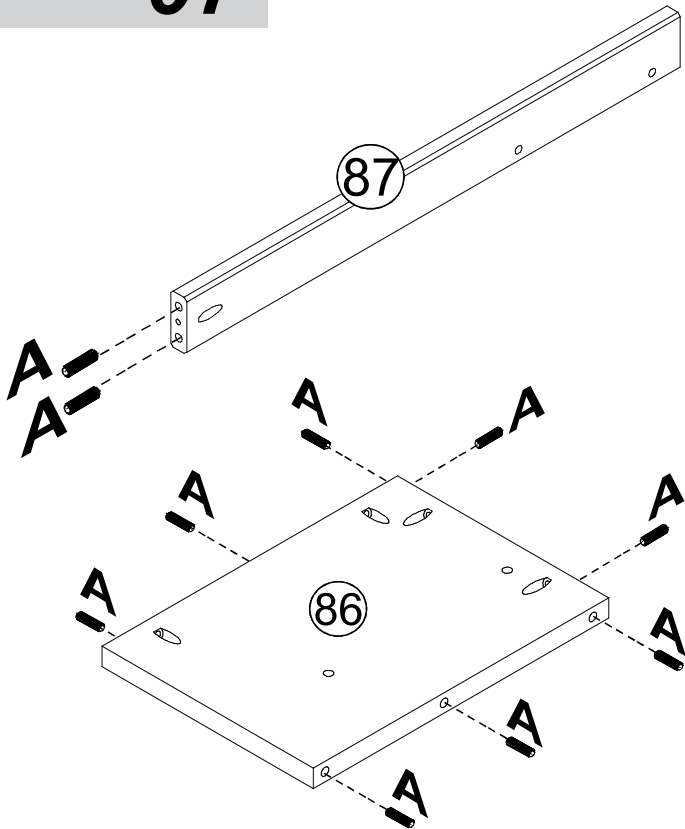
05



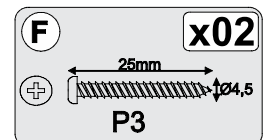
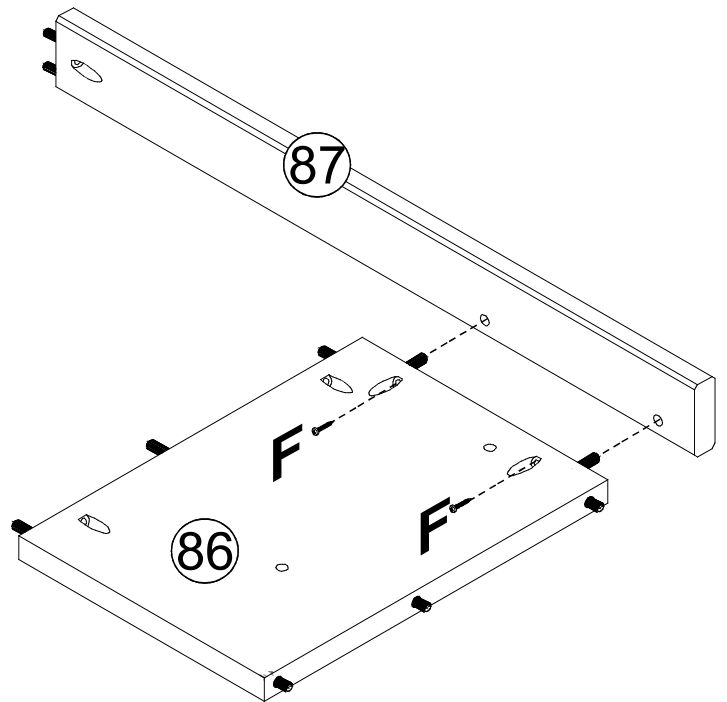
06



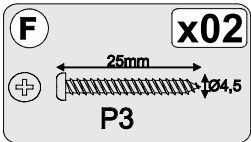
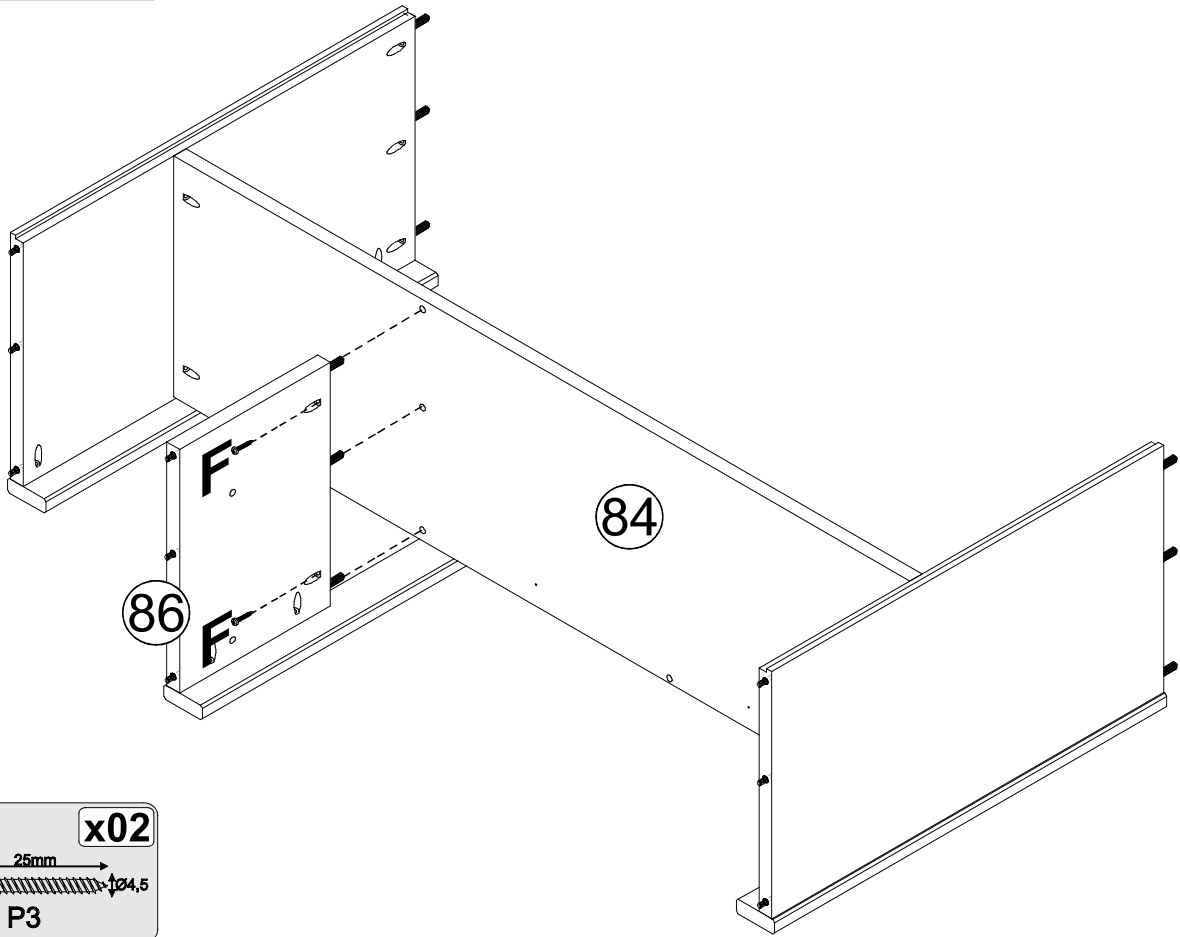
07



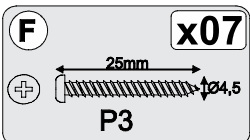
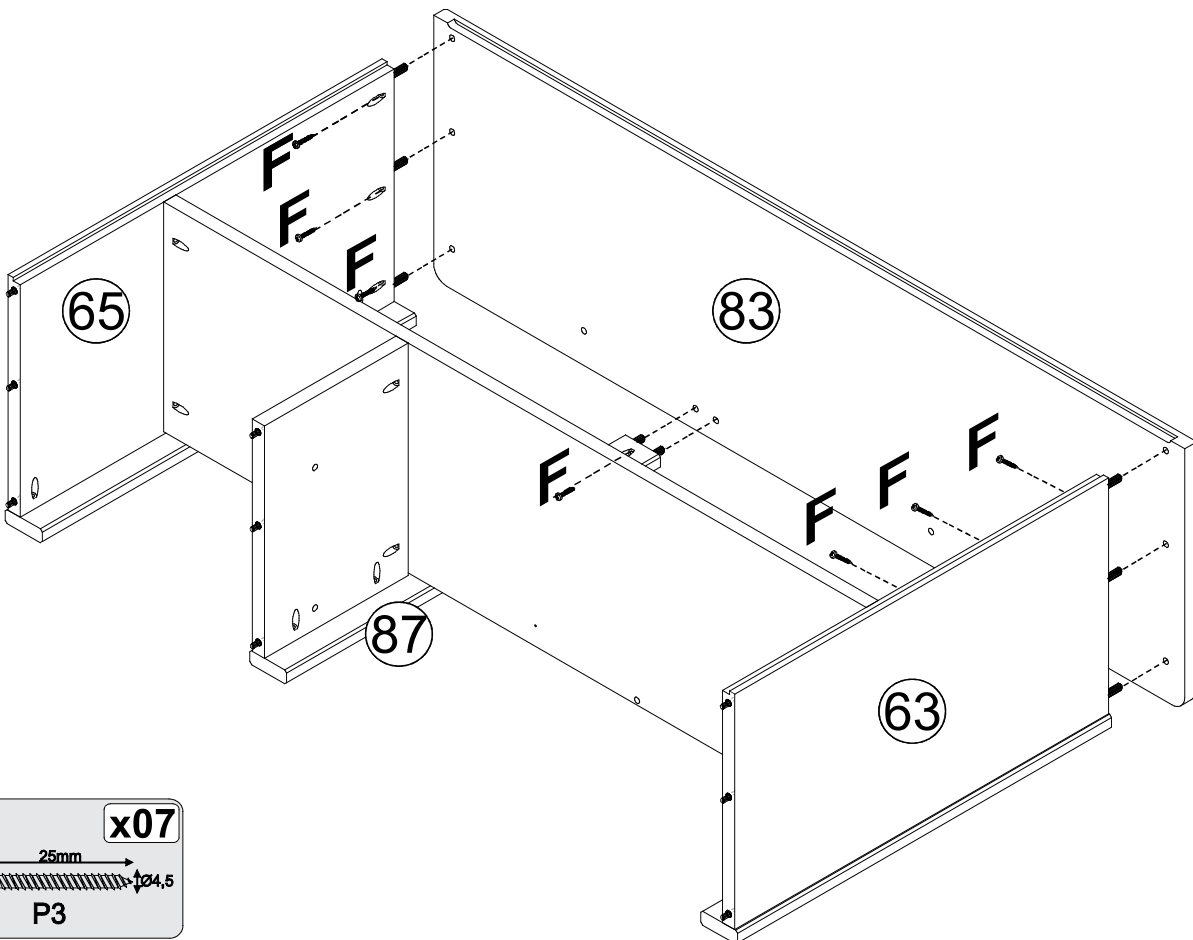
08



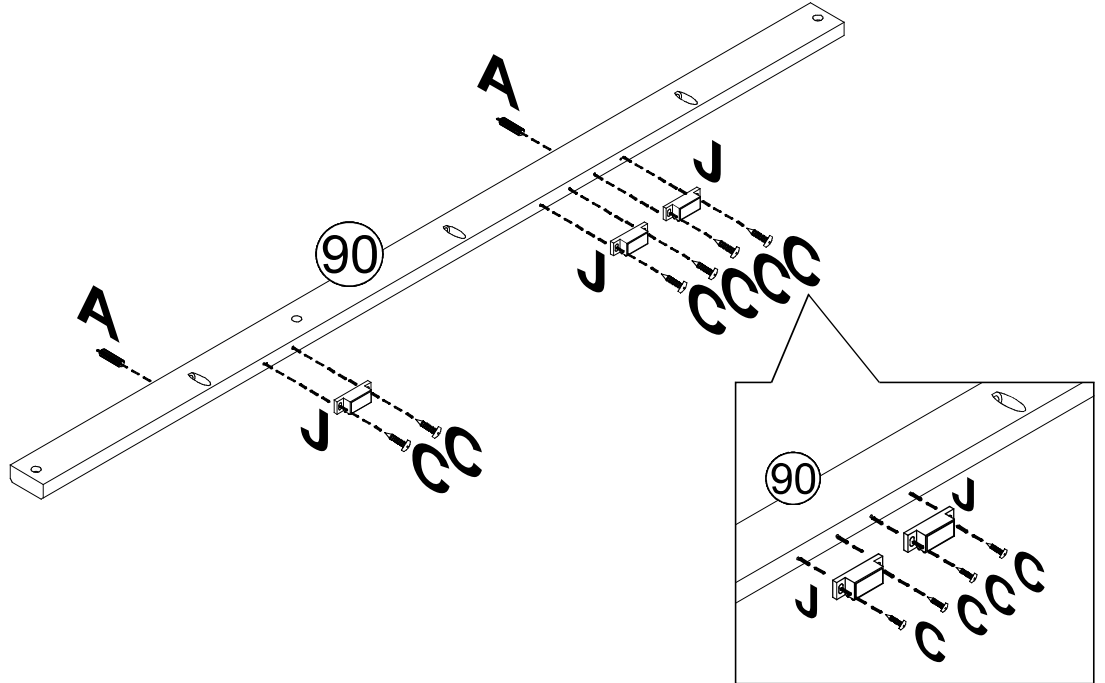
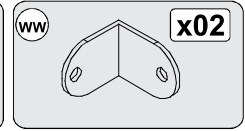
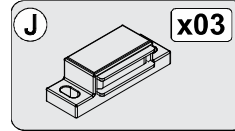
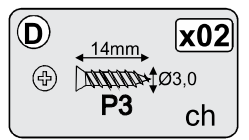
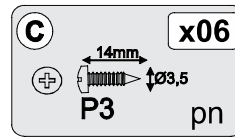
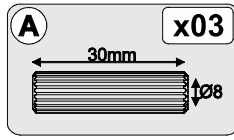
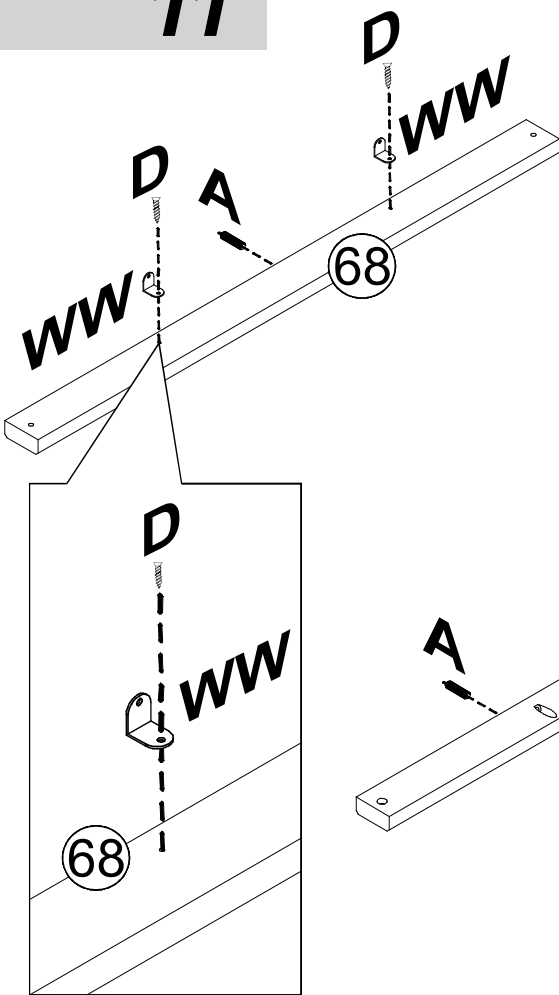
09



10

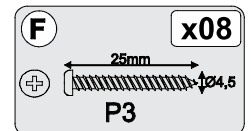
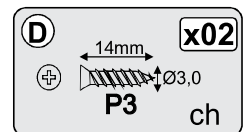
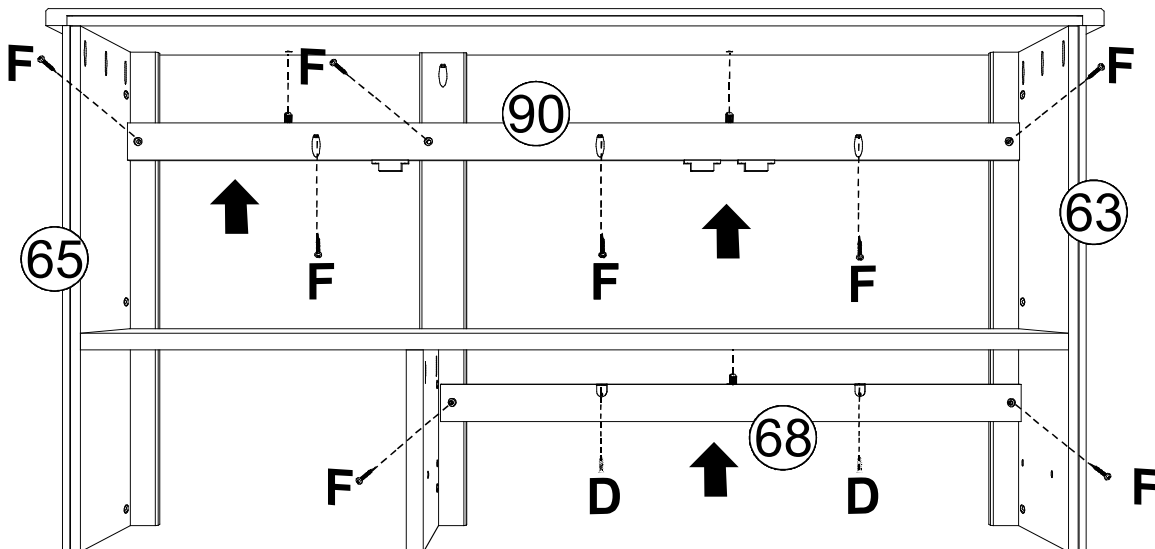
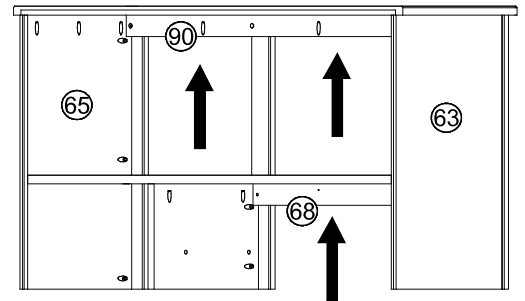


11

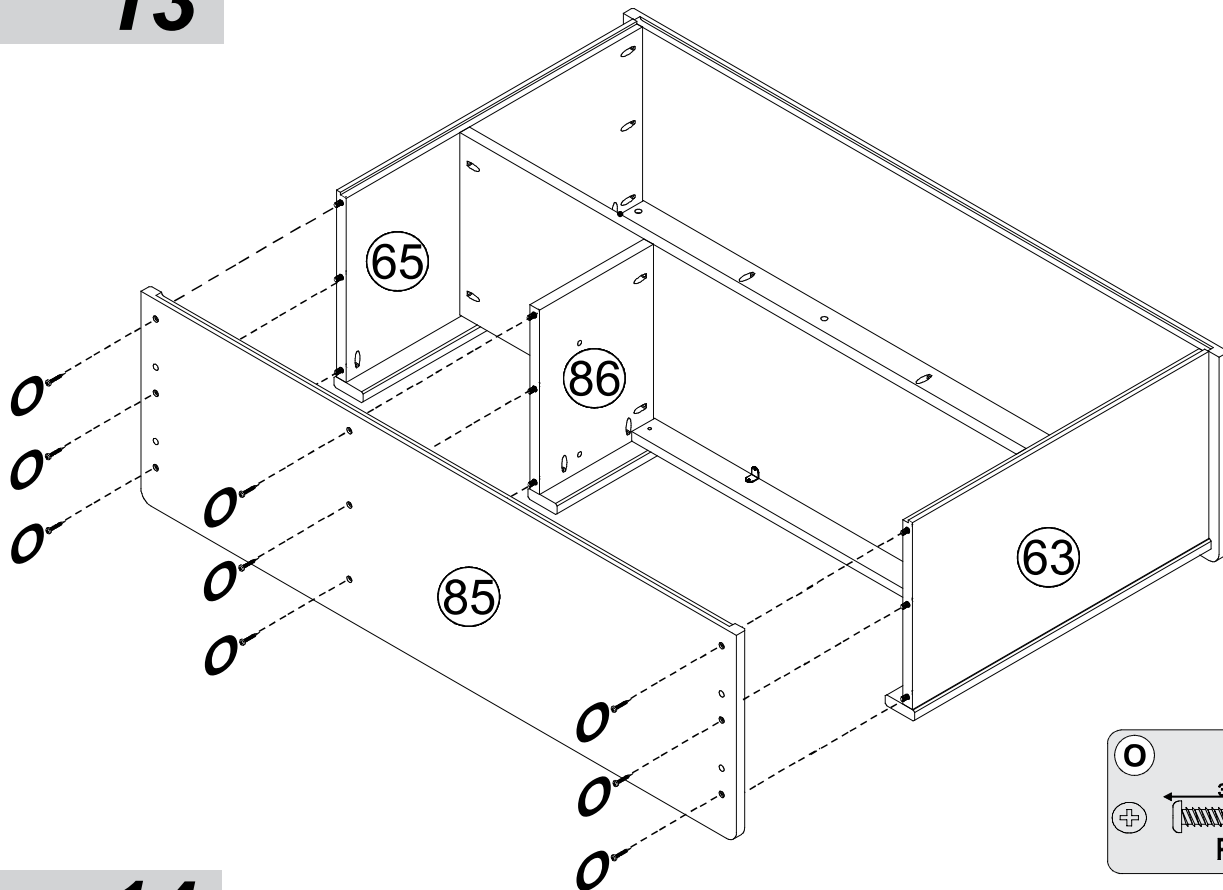


12

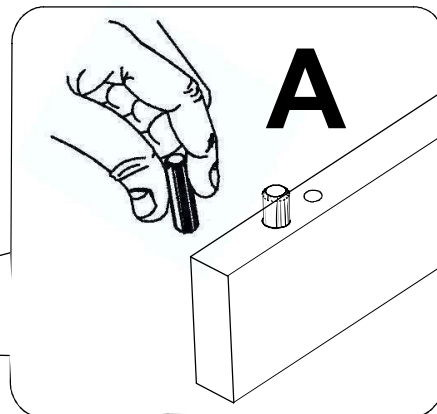
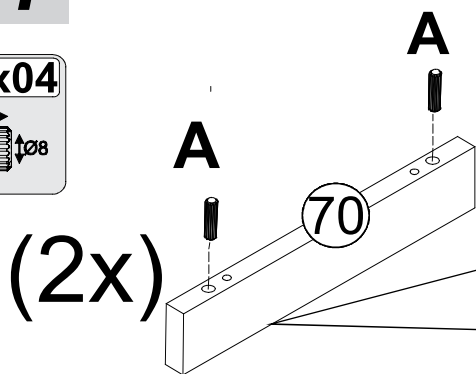
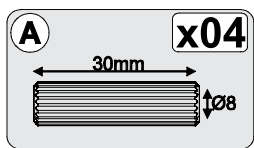
ANOTHER PERSPECTIVE OF THE APPLICATION OF PLATES



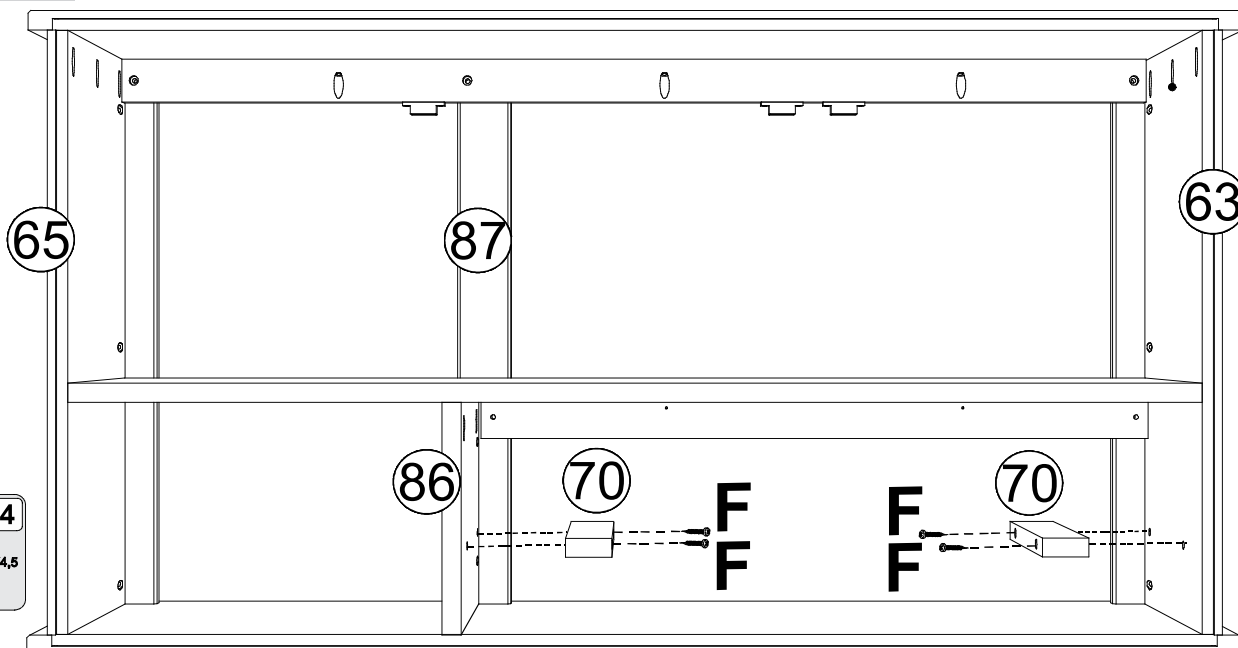
13



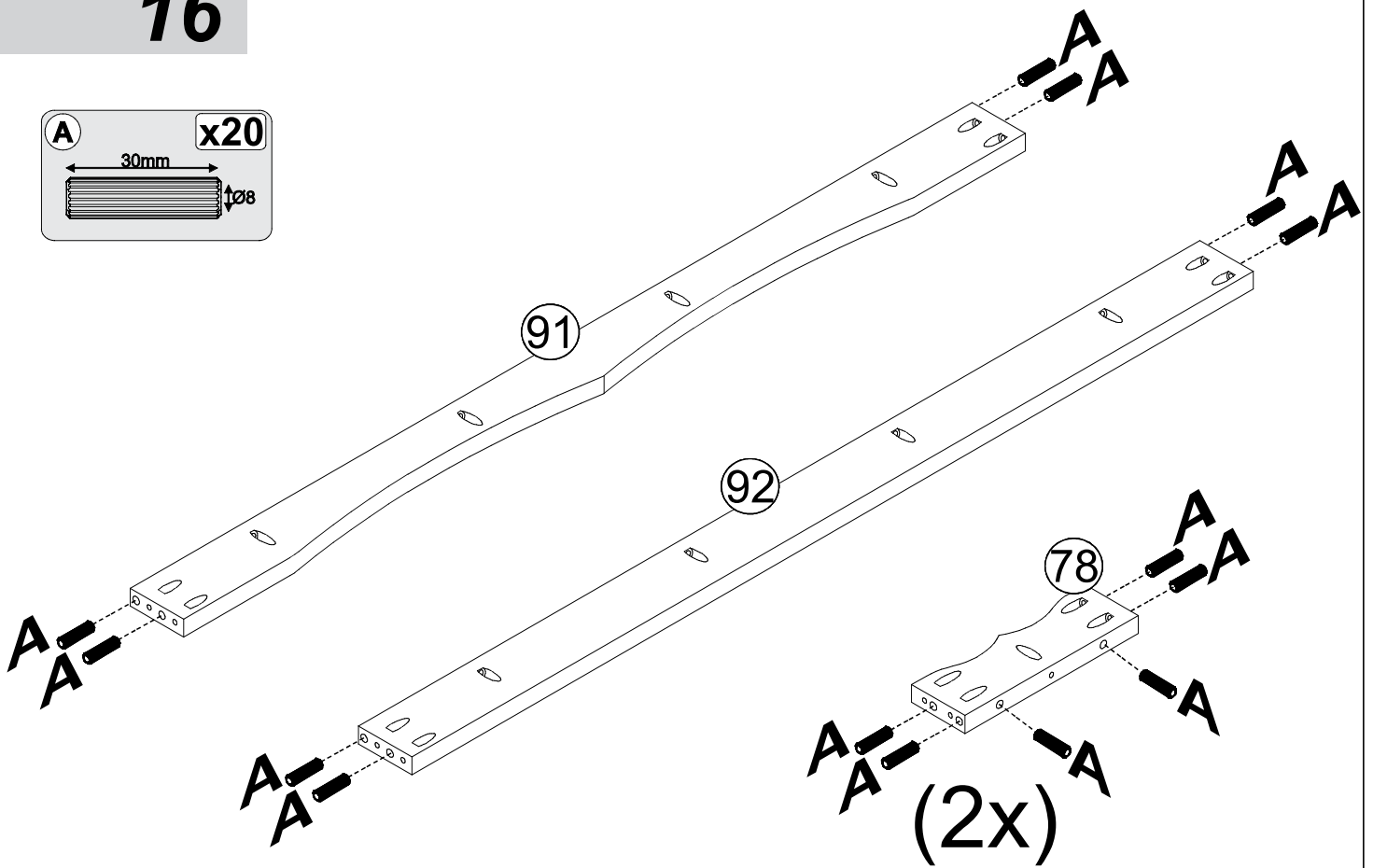
14



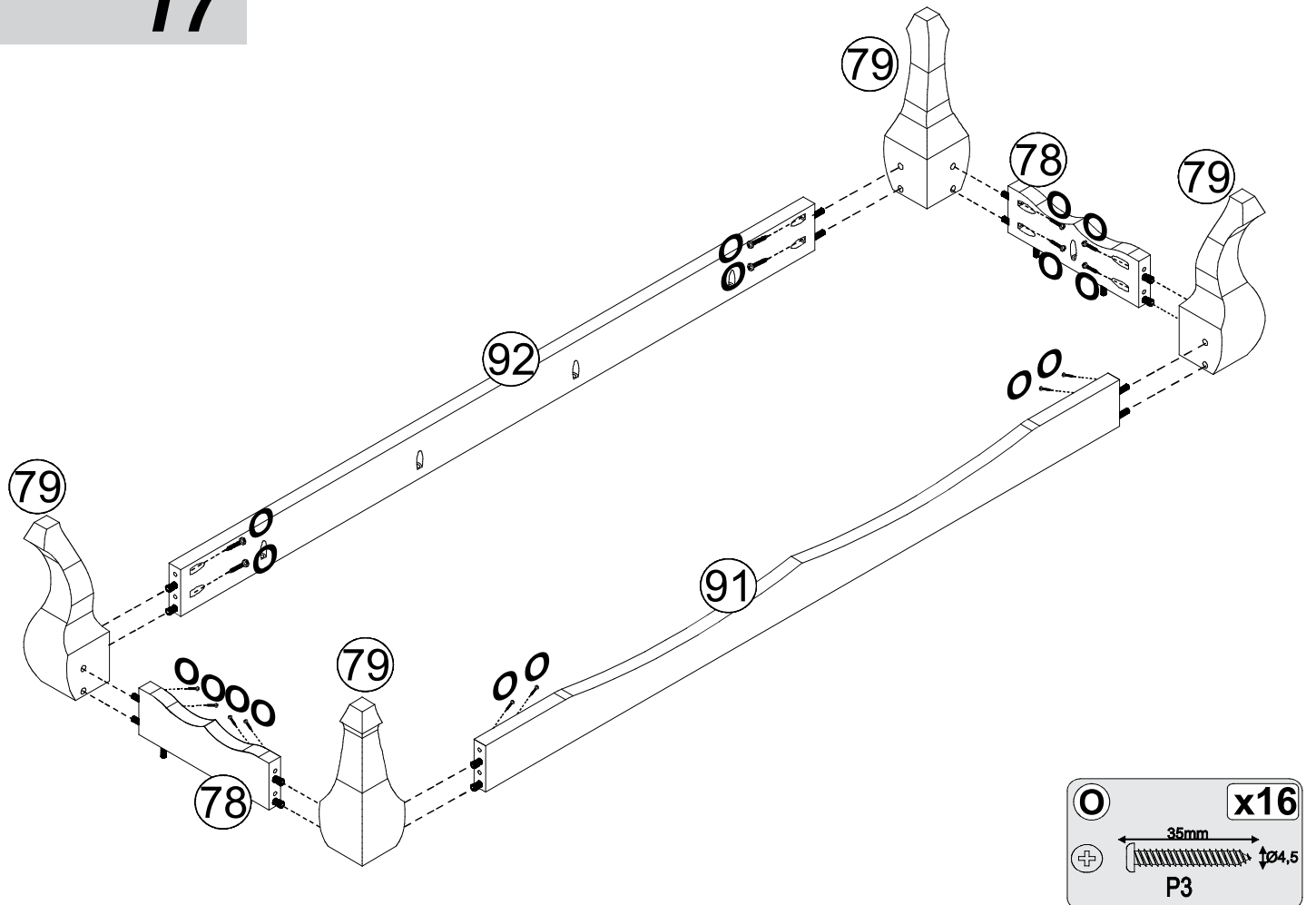
15



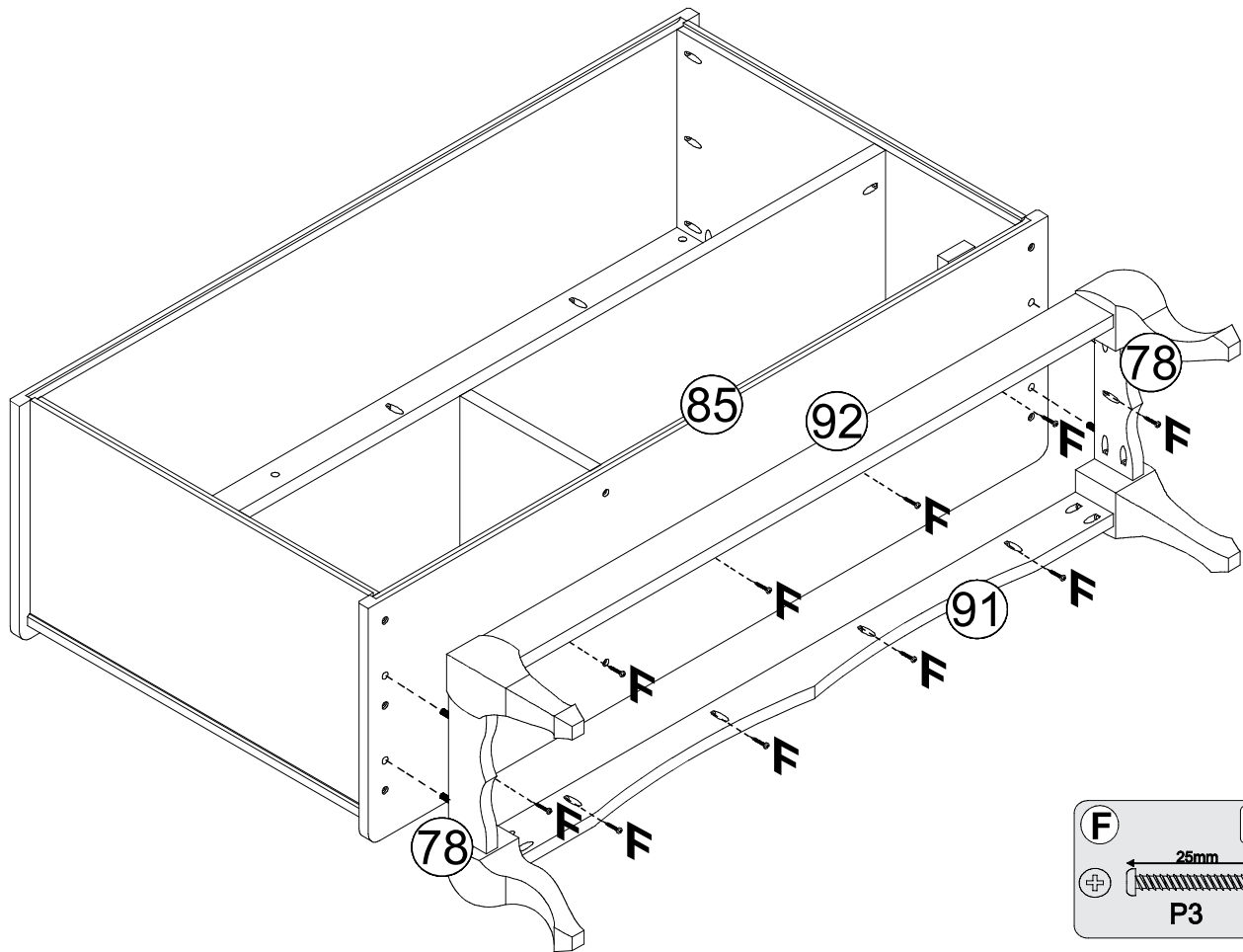
16



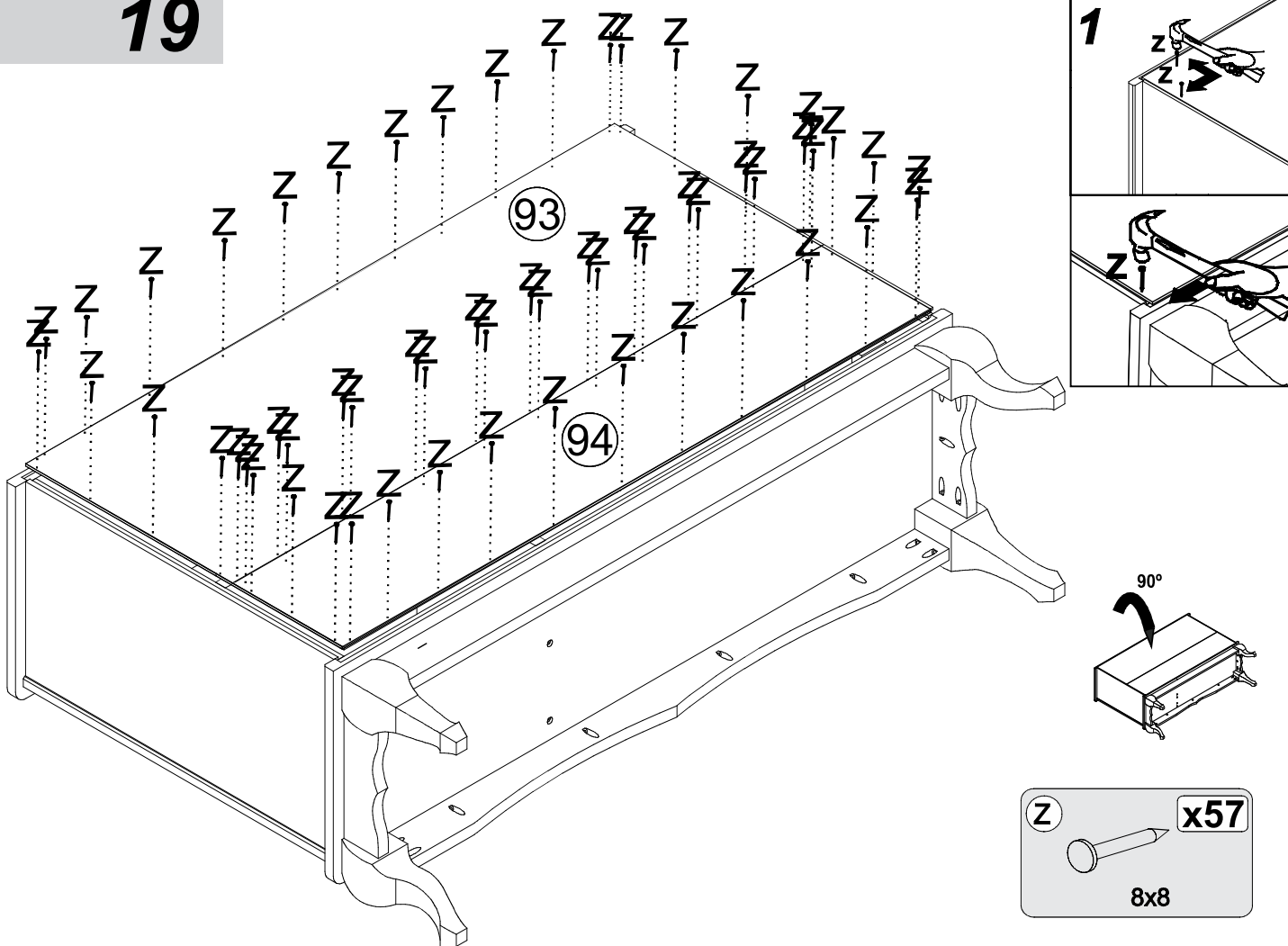
17

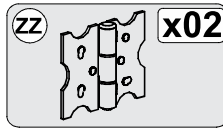
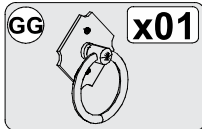
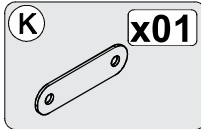
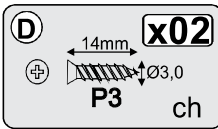
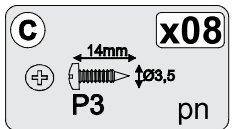
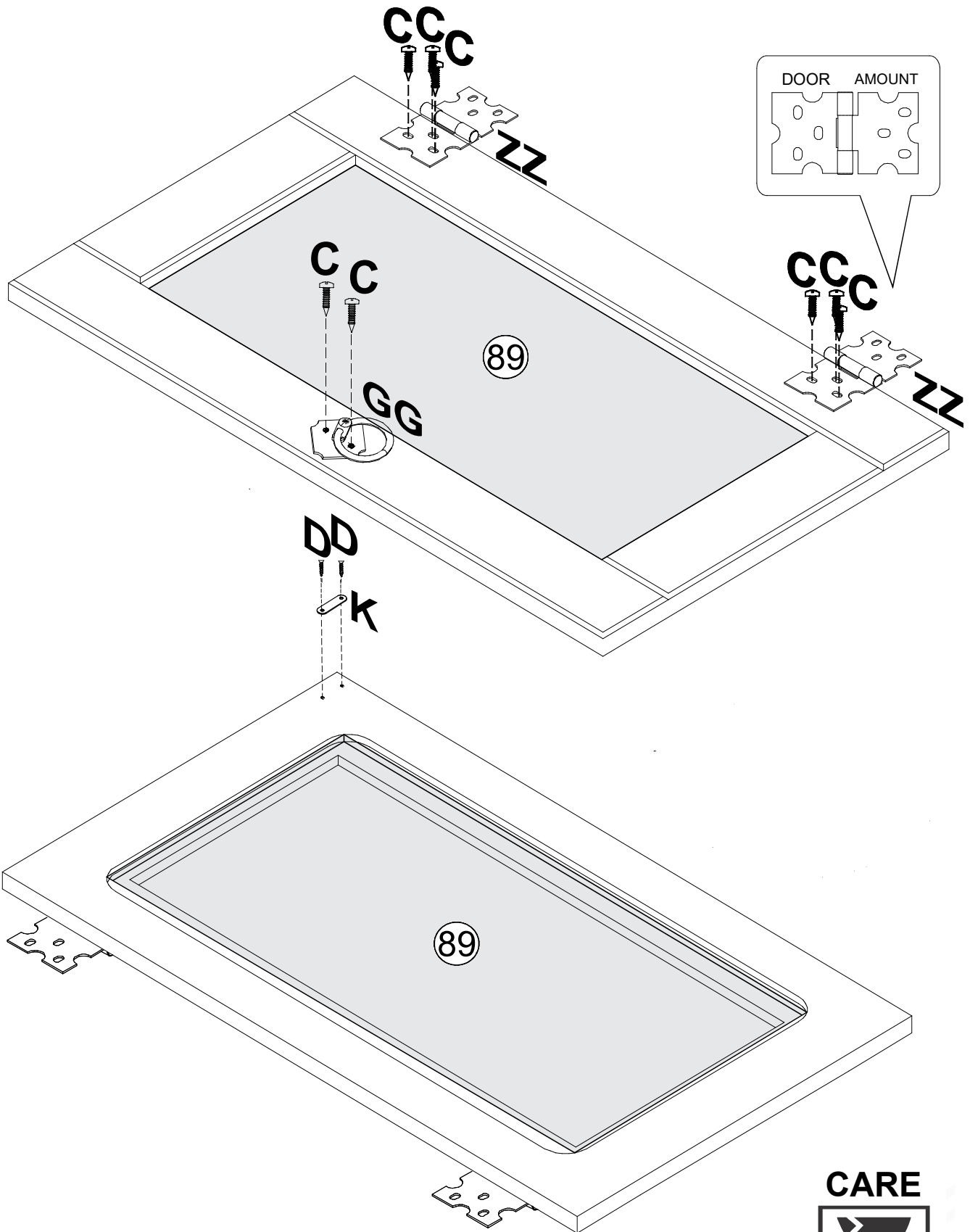


18



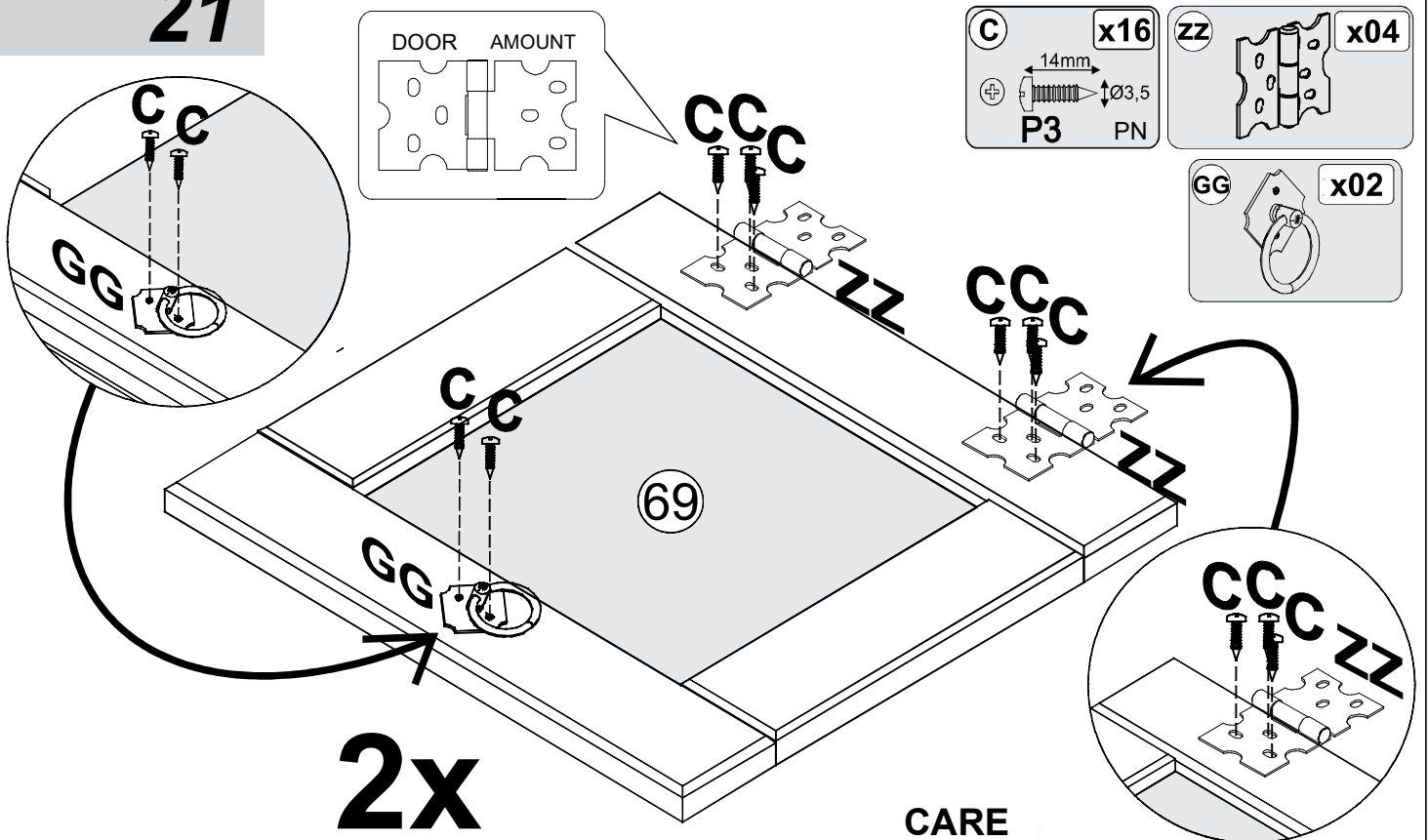
19





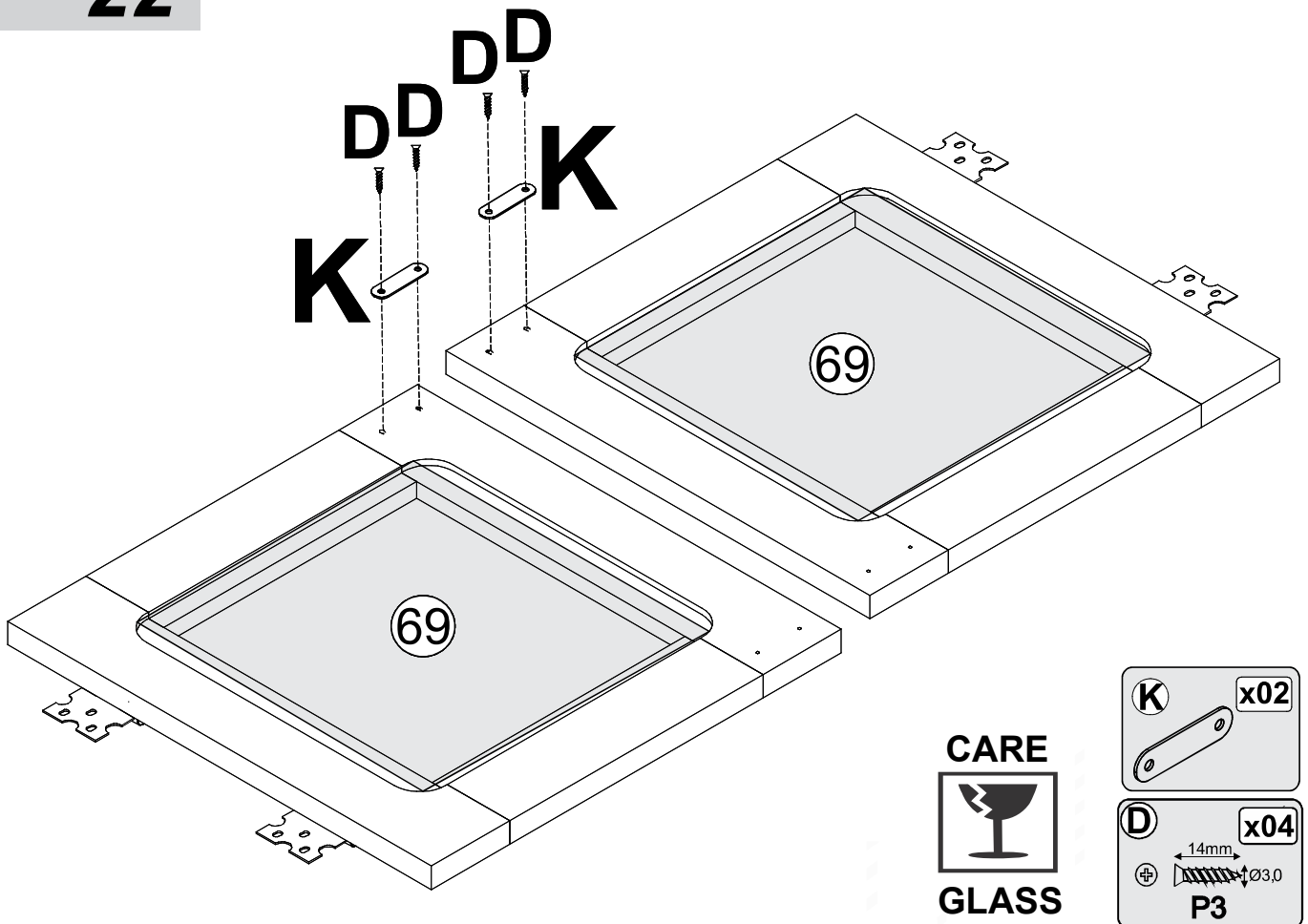
ATTACH HINGES TO THE DETAILED MARKINGS AS SEEN IN THE ILLUSTRATION ABOVE.
 NOTE THAT THE HINGES HAVE ADJUSTMENT AND THE VERTICAL HOLES
 MUST BE FIXED TO THE DOOR! ALSO ATTACH THE HANDLES AND MAGNETIC LOCK METAL PLATE.

21

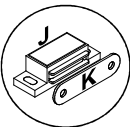


ATTACH THE HINGES TO THE DETAILED MARKINGS
NOTE: THE HINGES HAVE ADJUSTABLE HOLES
VERTICALS MUST BE FIXED TO THE DOOR.

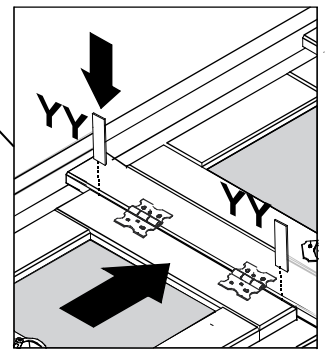
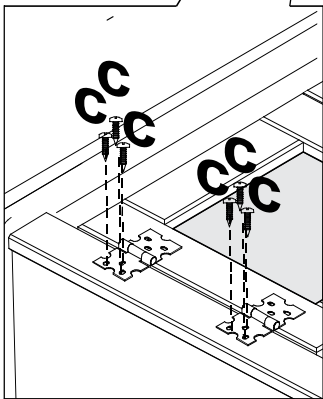
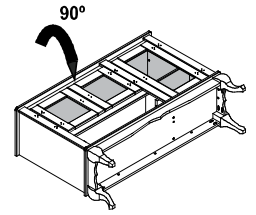
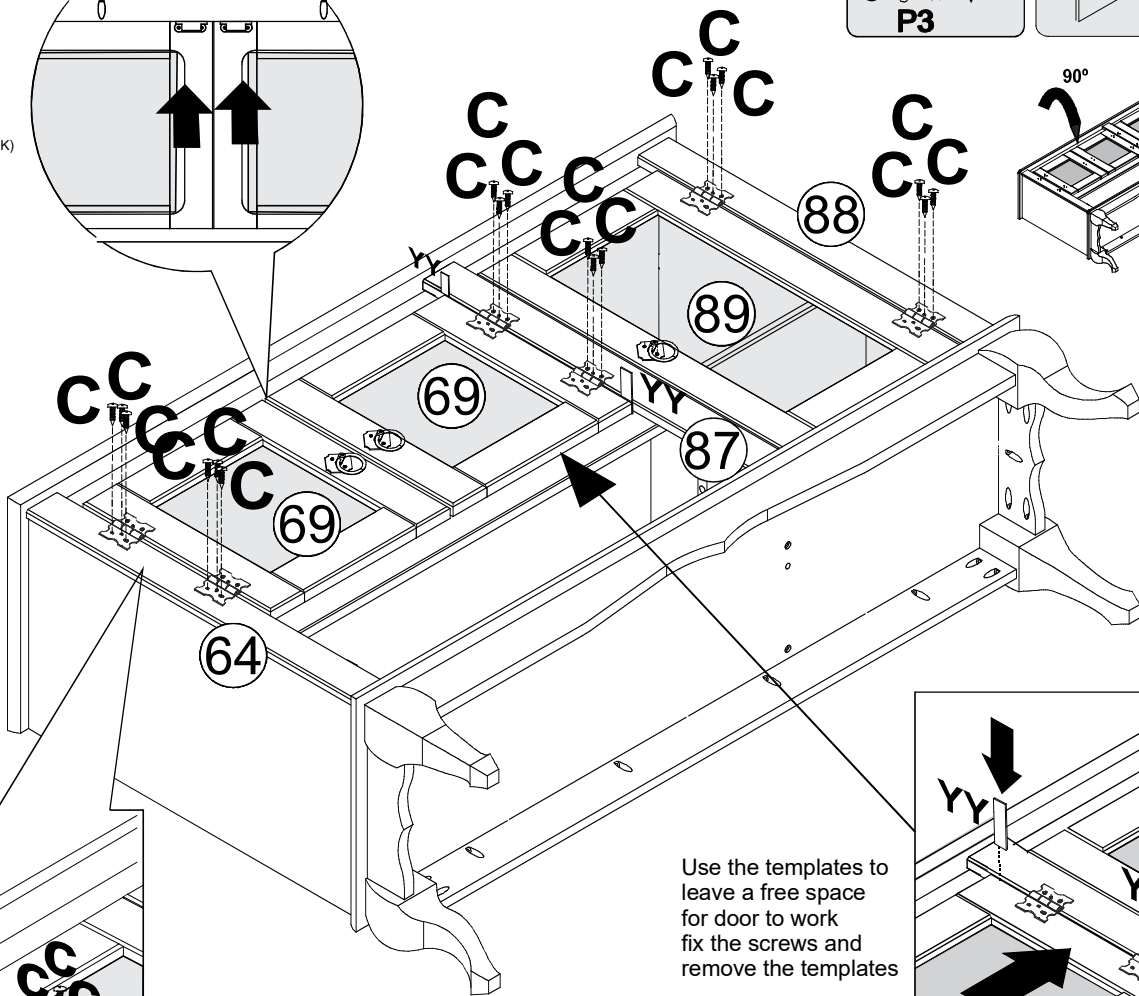
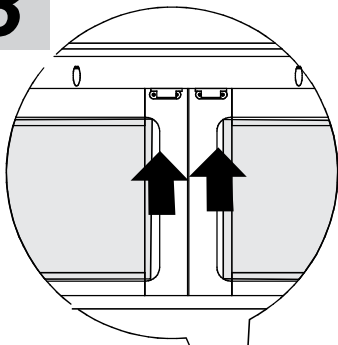
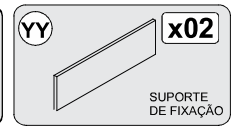
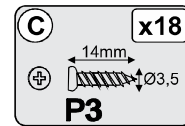
22



23



THE LOCK (J) AND THE WIRE (K) THEY MUST STAY LONG

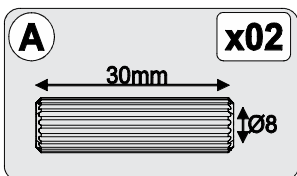
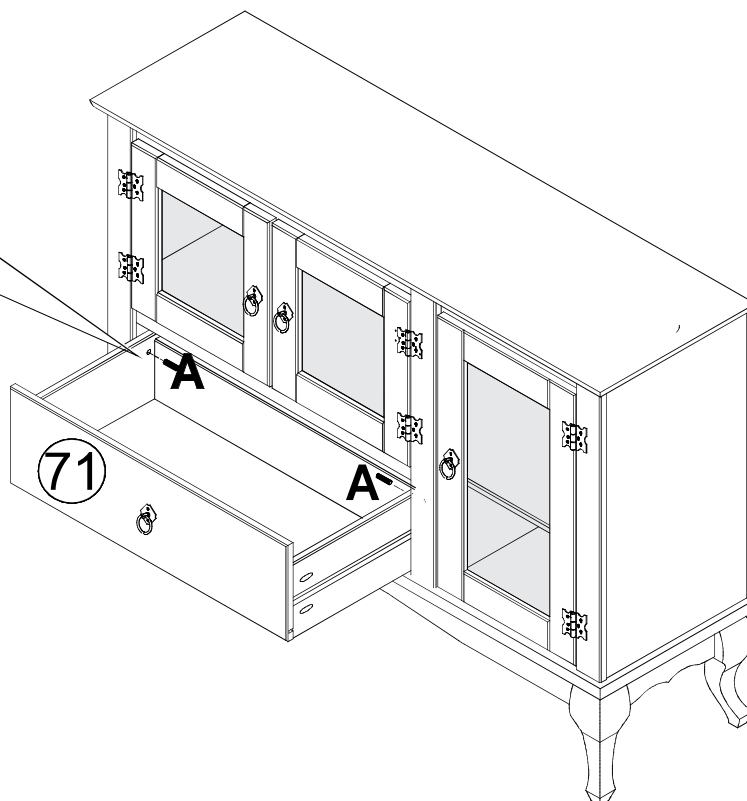
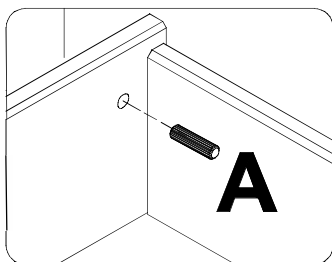


Use the templates to leave a free space for door to work fix the screws and remove the templates

Important reminder:

Before proceeding with assembly, we recommend carefully checking that all the screws intended for fixing are correctly positioned and properly tightened. This preliminary step is essential to guarantee the safety of the posts during the processing process. lifting the product, avoiding the risk of falling and damaging the glass. Your attention to this detail It is essential for a successful and trouble-free assembly.

24



WARNING: CHECK FOR HIDDEN PIPES AND CABLES BEFORE DRILLING.

IMPORTANT: IF YOUR WALLS ARE NOT SOLID LIKE BRICK OR STONE, YOU WILL REQUIRE SPECIALIST FITTINGS (NOT SUPPLIED).

- Place fixing strip against the wall and mark position for drilling hole.
- Drill hole in your wall to a depth of 30mm using a 6mm drill bit. If the surface of your wall is soft and crumbly, we would advise you to use a 5mm drill bit for a tighter fit.
- Insert plug into hole with end flush to the wall surface.
- Attach fixing strip to the wall using the 30mm screw + washer and securely tighten.
- Pre-drill small pilot hole on the back edge of the furniture top using a 2mm drill bit. Attach the other end of fixing strip to the back edge of the furniture top using the 16mm screw + washer and securely tighten.

