

RTA CRATE

FOREST PRESERVATION

SUSTAINABILITY

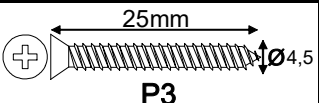


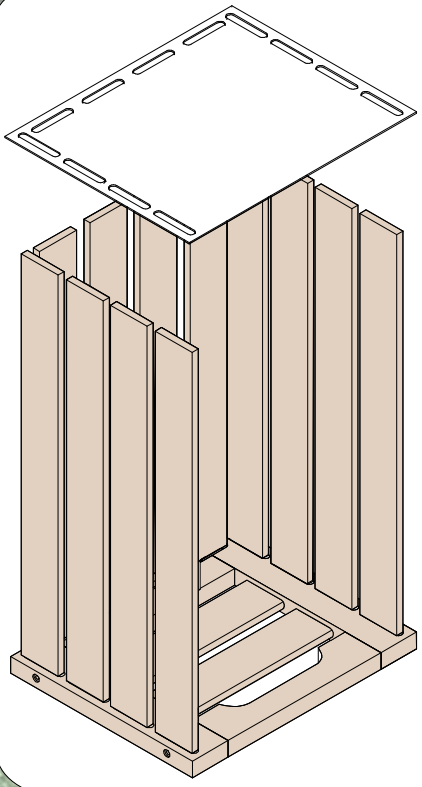
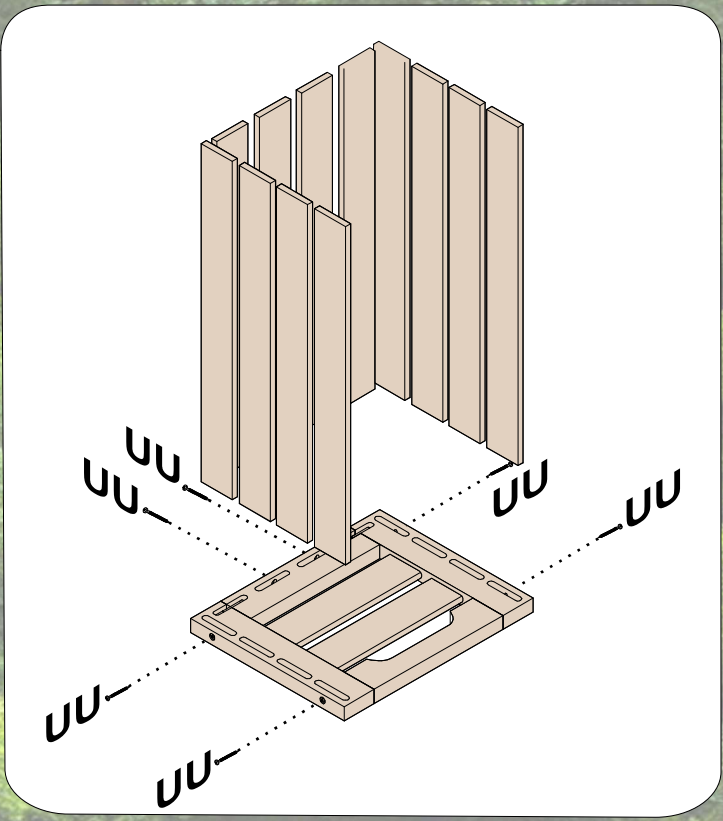
This innovative wooden crate can help you carry and sort your stuff. It's quick and easy to assemble and can stand heavy weight (up to 50kg or 110lb). Made of reforested pine, it can be used in its unpainted form, which highlights the natural features of the wood, or it can be sprayed with your favorite finish. Use your imagination, stack the crates upwards and sideways to create a variety of storage solutions.

CRT CREATE

PARTS AND ACCESSORIES

#	PARTS	QTS
1	ENDS	2
2	SLATS	12

LETTER	ACCESSORIES	QTD
UU	 25mm P3 Ø4,5	12



Once one side of the crate is assembled, insert other end of slats into cardboard template to make it easier to fit them into slots. When assembly is completed, tear and remove template.

