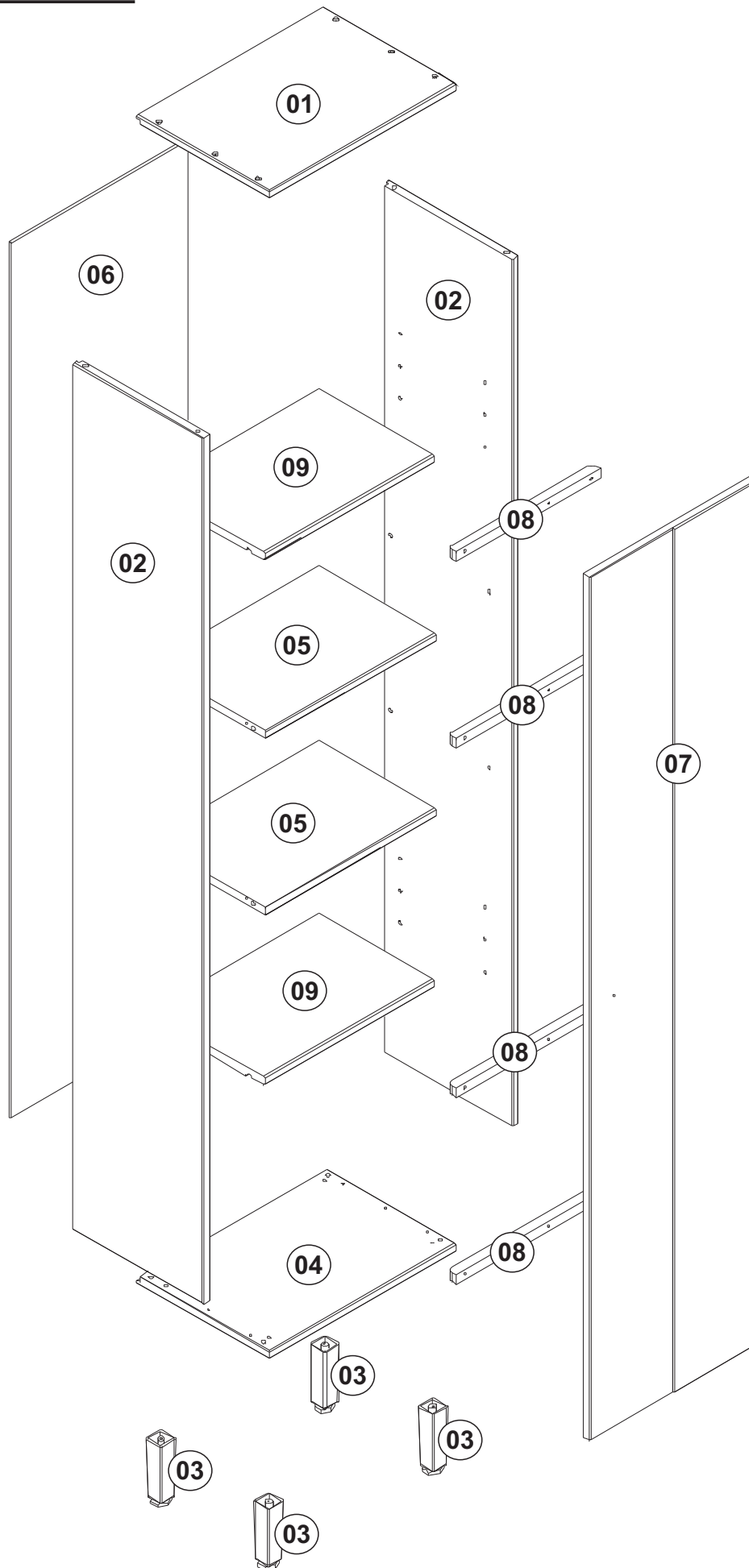
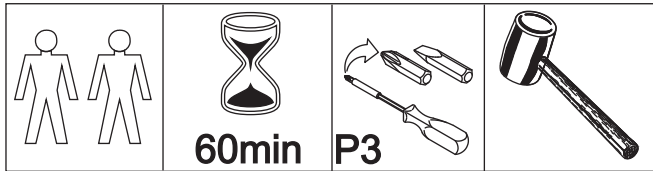


UTC101



UTC101



Thank you for choosing this furniture.

BEFORE YOU START ASSEMBLY please store the carton at room temperature for 48 hours or more so the contents can acclimatise.

PLEASE RETAIN ALL PACKING UNTIL YOU HAVE COMPLETED ASSEMBLY.

Information about your Pine furniture.

Our pine furniture ranges have been carefully crafted from solid wood and natural wood veneers. Each piece of pine has unique characteristics such as knots, variances in shading and graining. These are part of the natural character of the furniture itself.

Caring for your Pine furniture.

Extreme temperature can cause slight movements in the wood itself so please avoid placing your furniture close to radiators or other direct sources of heat. Humidity should also be avoided.

Please avoid exposing your furniture to continued bright sunlight as it can affect the colour.

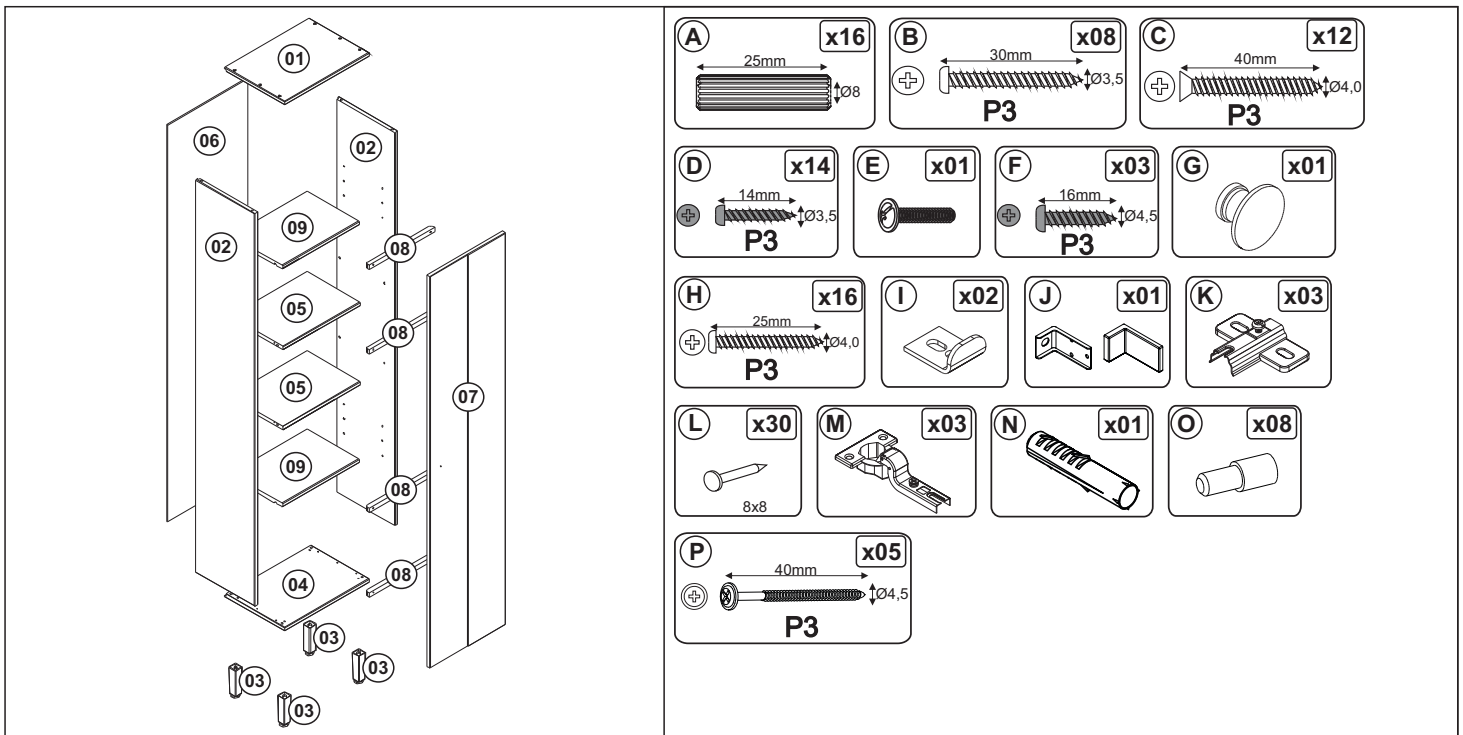
Any fluid spills should be removed as quickly as possible.

Always lift your furniture when moving as dragging may cause damage to your furniture or flooring.

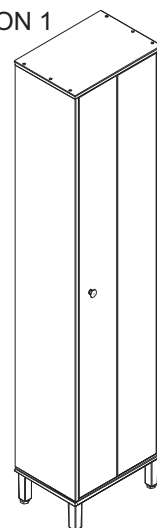
After care.

Wipe the surfaces with a dry cloth and occasionally apply household furniture polish. For the models with drawers, we also recommend you use household spray polish occasionally on drawer grooves and runners as this will aid use. Please do not use detergents or chemicals on your furniture.

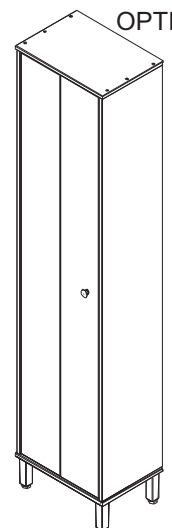
PARTS LIST



OPTION 1



OPTION 2



BEFORE YOU START ASSEMBLY

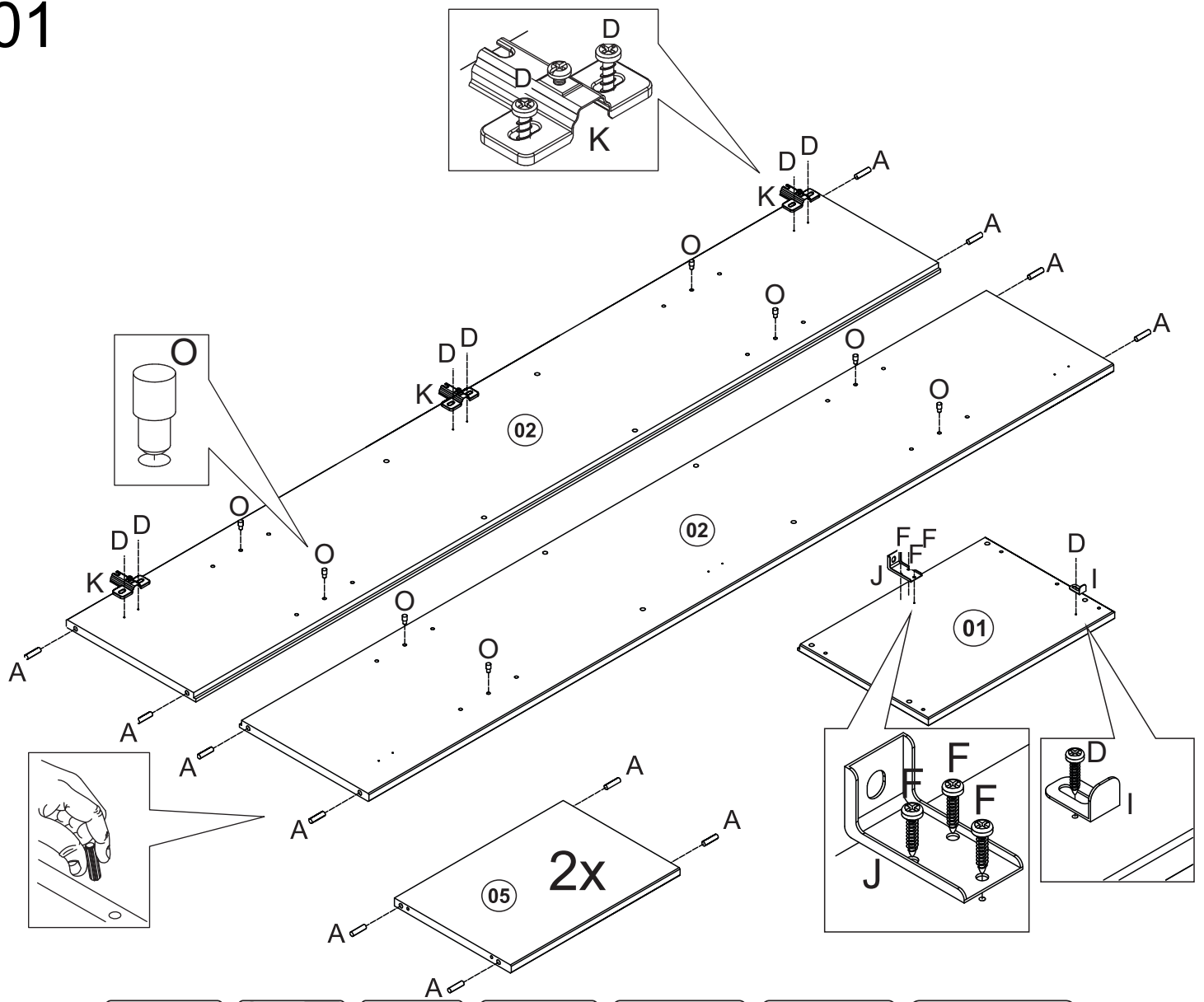
Please check that you have all the correct parts and fittings as detailed in the Parts List above.

For assistance, please email us at: cs@furnishedash.com

BATCH NUMBER **CRUZ-1396**

PLEASE RETAIN THIS INSTRUCTION LEAFLET FOR FUTURE REFERENCE.

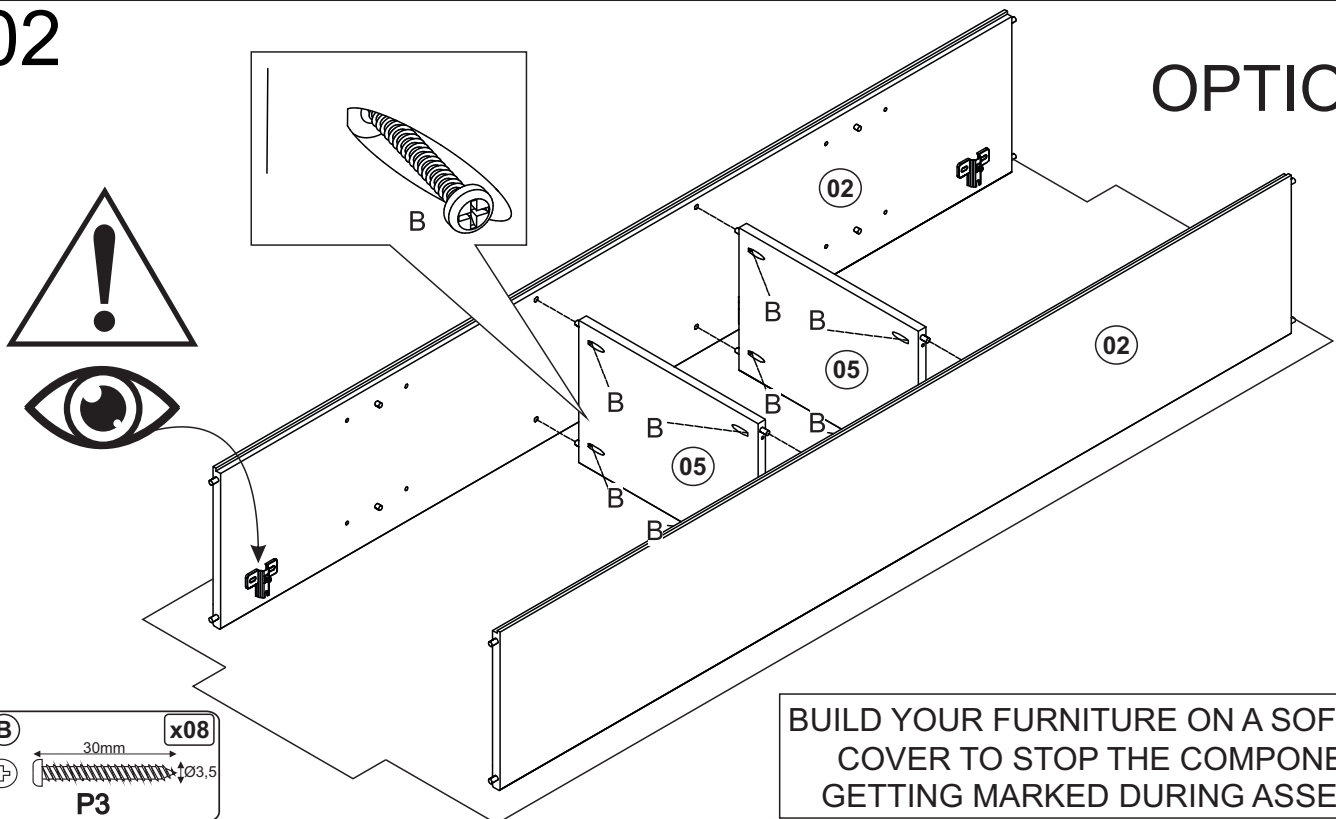
01



- | | | | | | | |
|--------------|--------------|--------------|--------------|---|---|---|
| K x03 | O x08 | I x01 | J x01 | F x03
16mm
$\uparrow\varnothing 4,5$
P3 | D x07
14mm
$\uparrow\varnothing 3,5$
P3 | A x16
25mm
$\uparrow\varnothing 8$ |
|--------------|--------------|--------------|--------------|---|---|---|

02

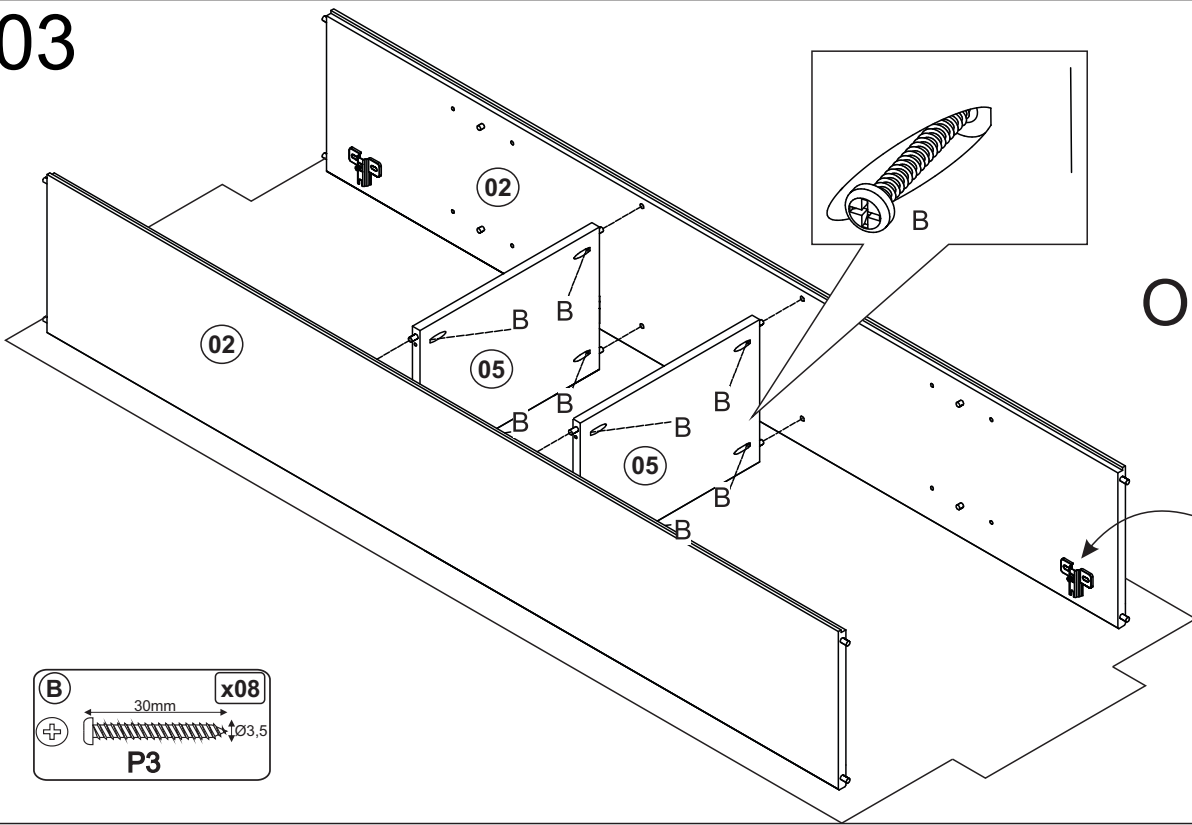
OPTION 1



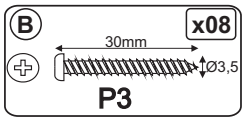
- | | |
|--------------|---|
| B x08 | B x08
30mm
$\uparrow\varnothing 3,5$
P3 |
|--------------|---|

BUILD YOUR FURNITURE ON A SOFT CLEAN COVER TO STOP THE COMPONENTS GETTING MARKED DURING ASSEMBLY

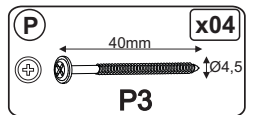
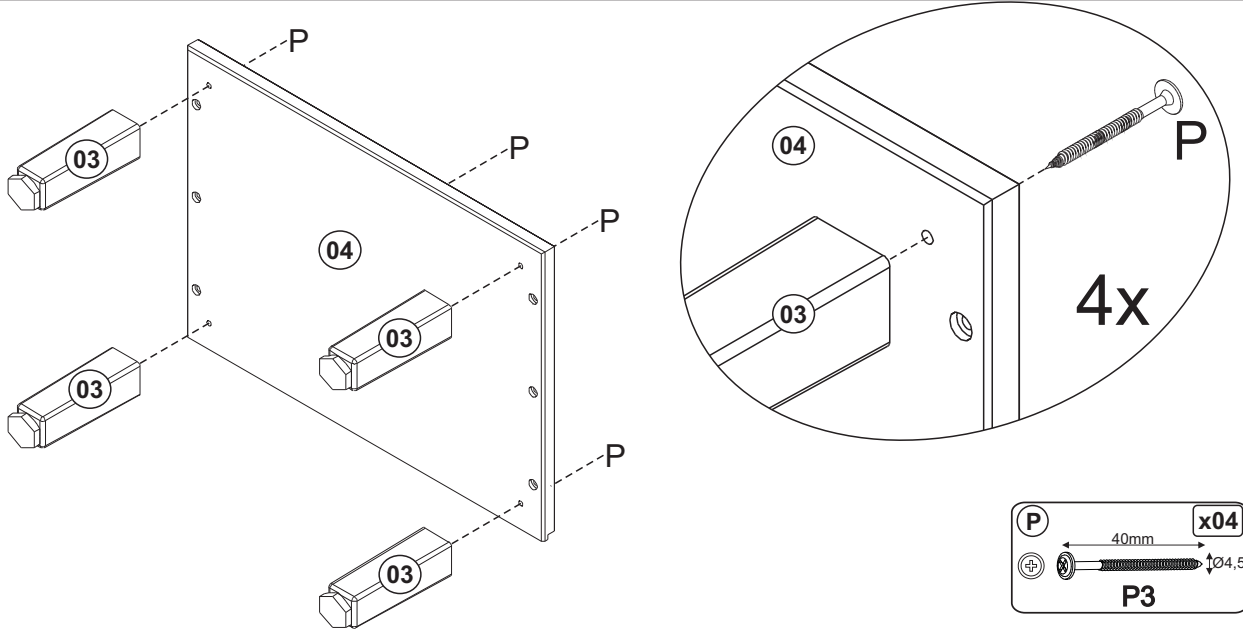
03



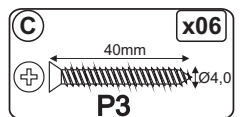
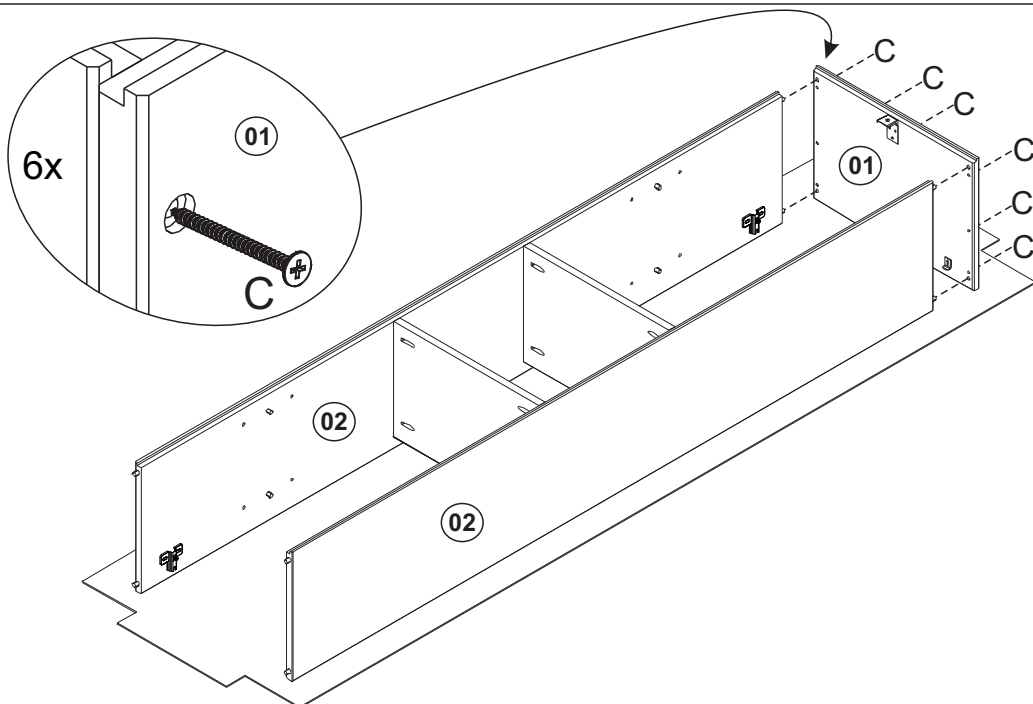
OPTION 2



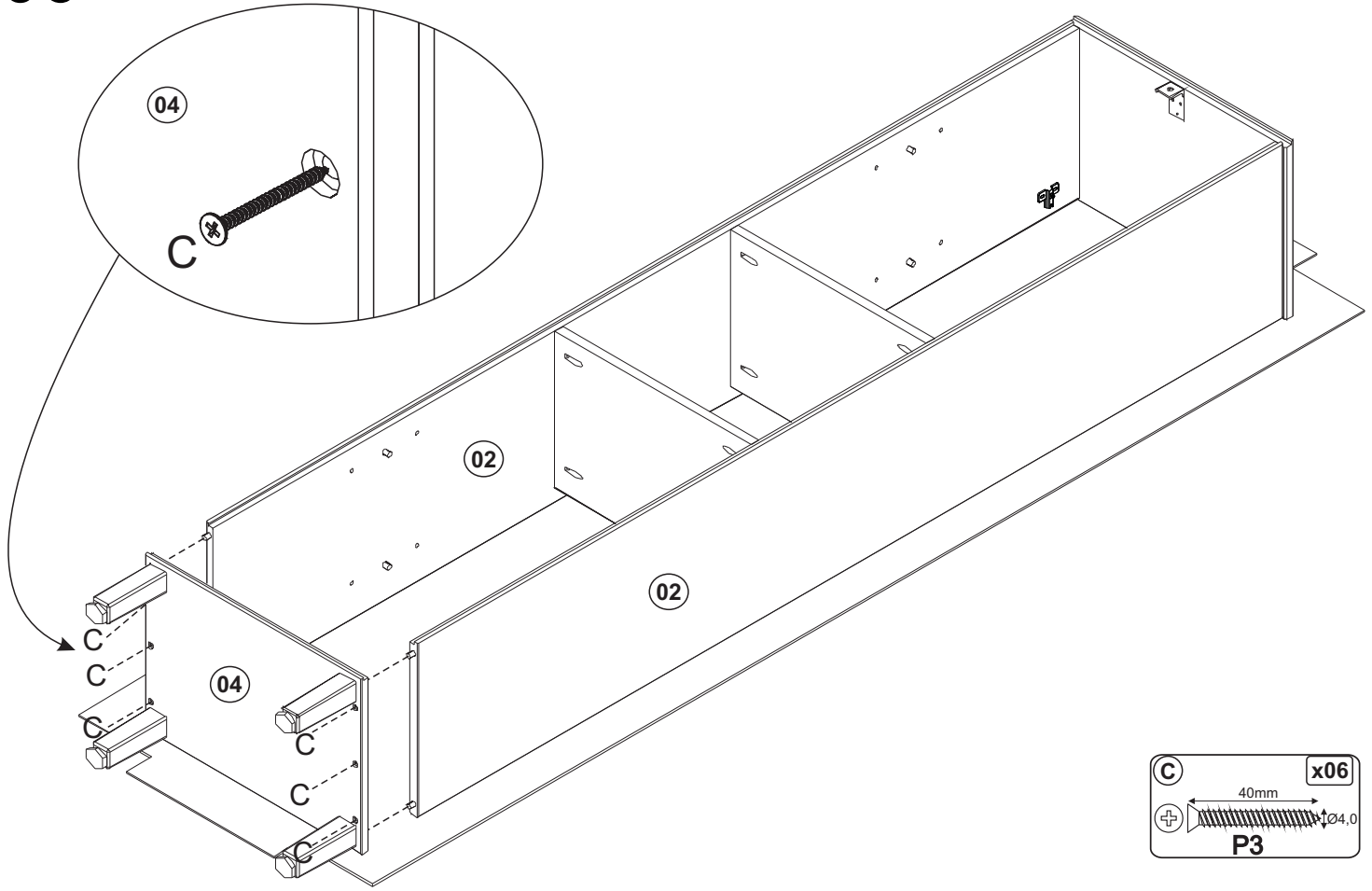
04



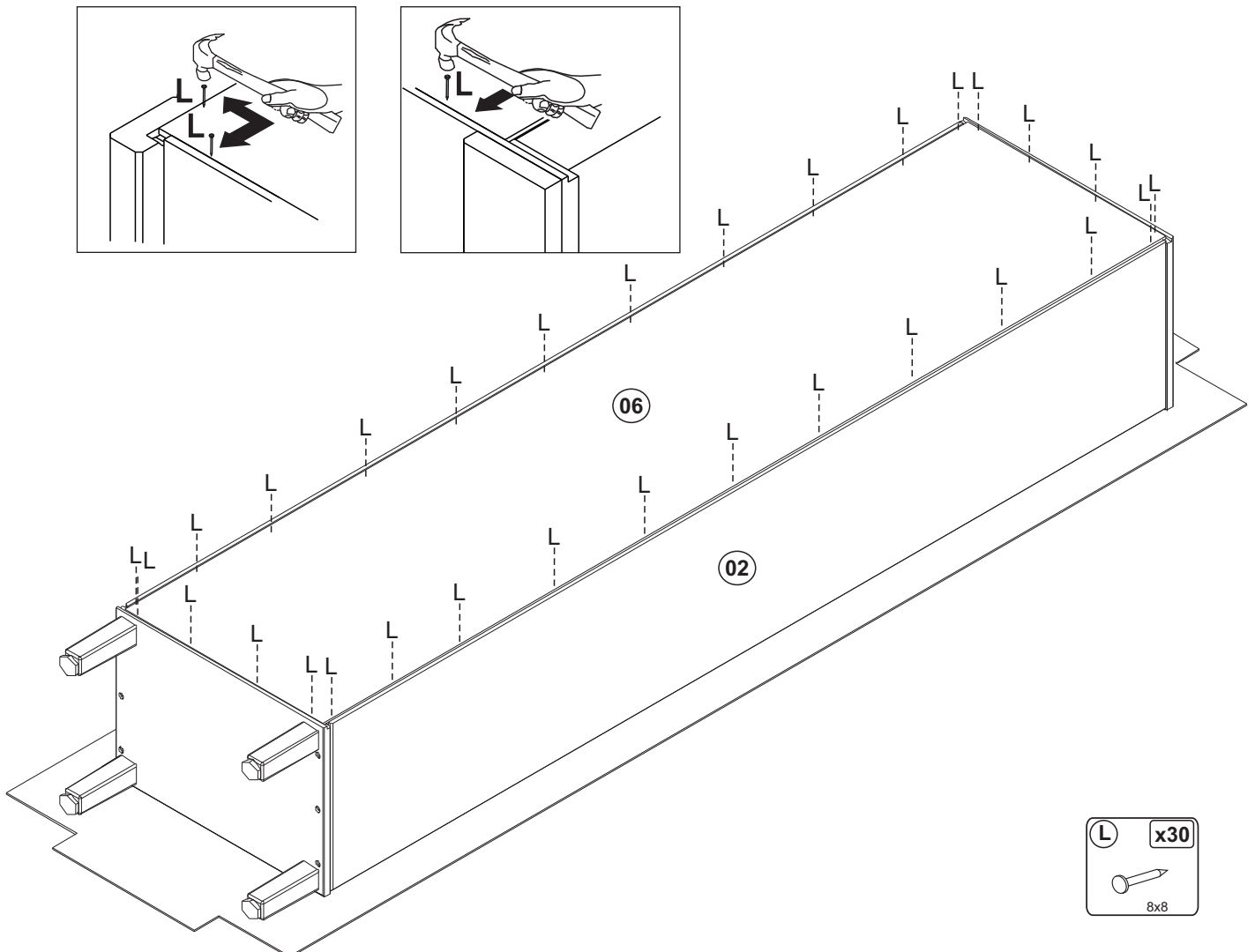
05



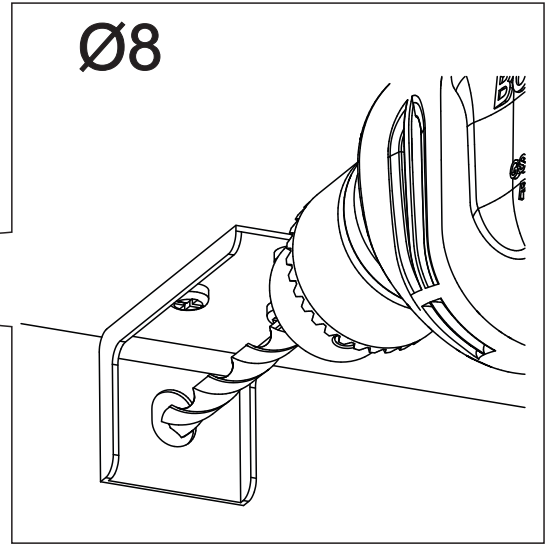
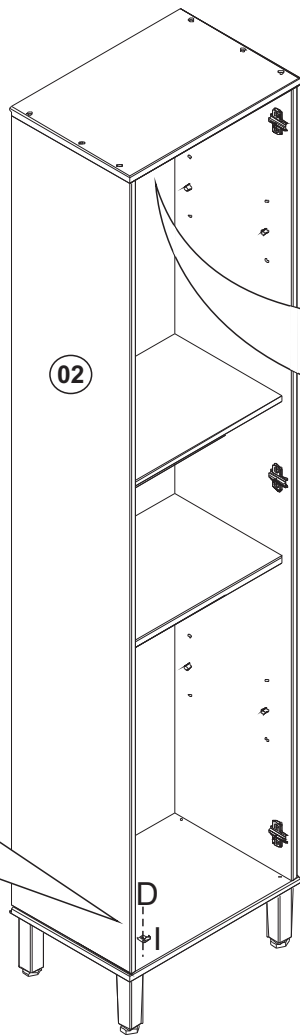
06



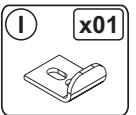
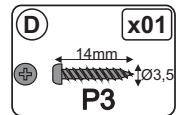
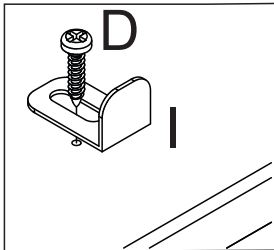
07



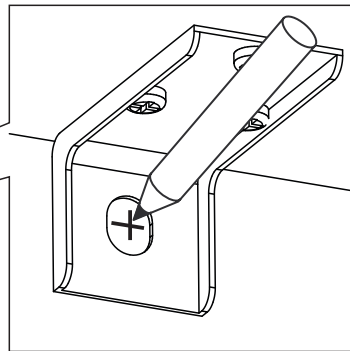
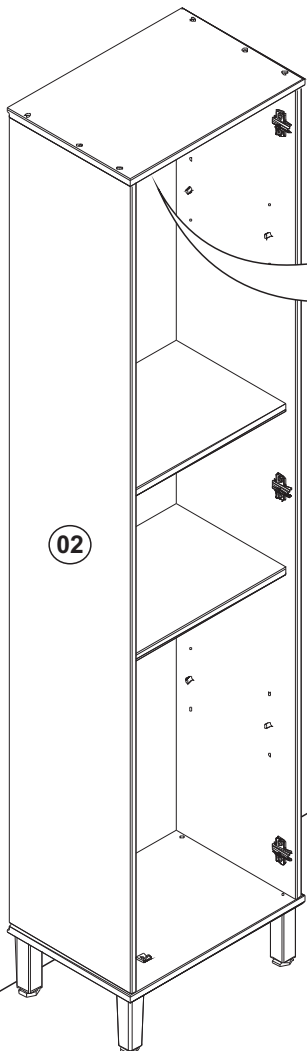
08



Using an 8mm \varnothing bit (approximately 5/16 inch), drill through the back of the product only.



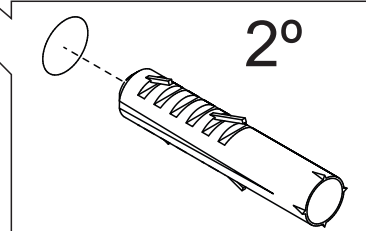
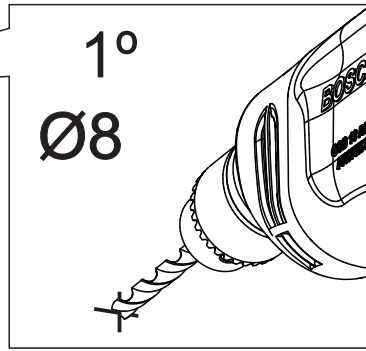
09



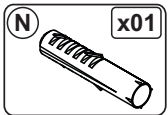
Position the product in the desired location and mark the center of the hole on the wall.

10

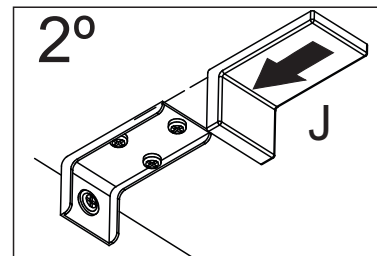
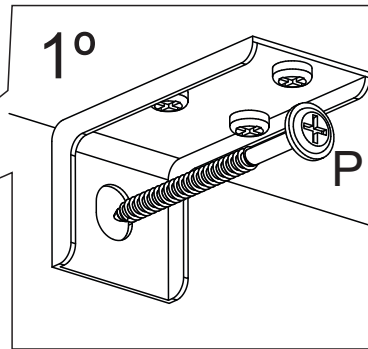
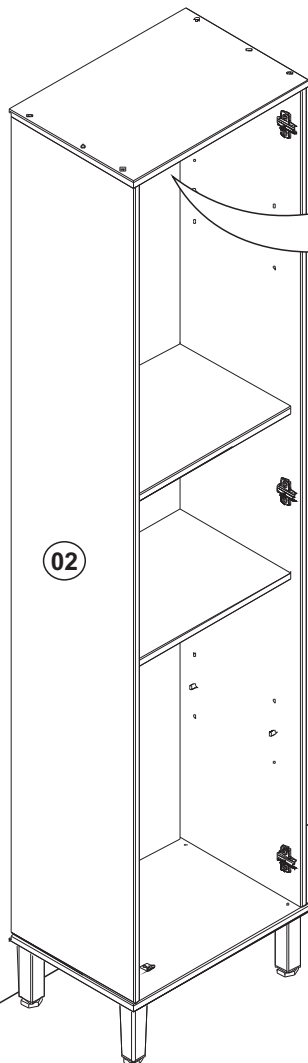
N



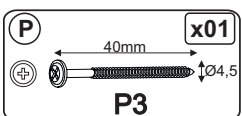
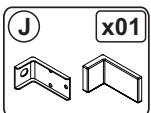
Move the product away from the wall, drill at the marked location, and insert the wall plug.



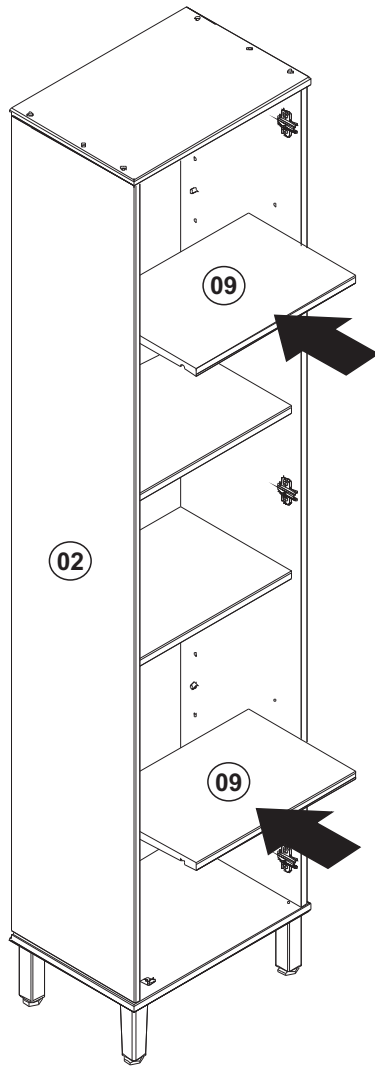
11



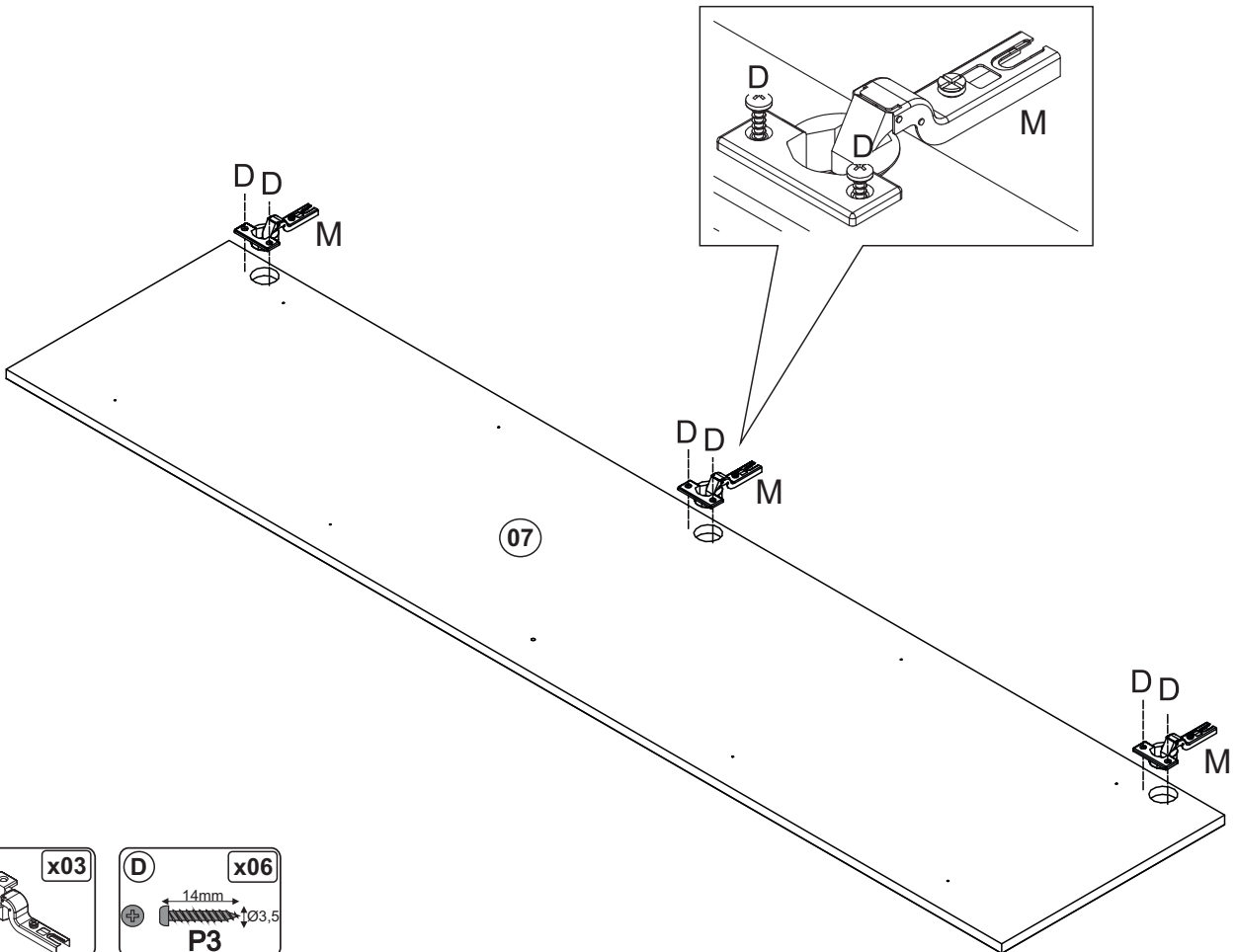
Position the product against the wall aligning the wall plug and the hole in the back.



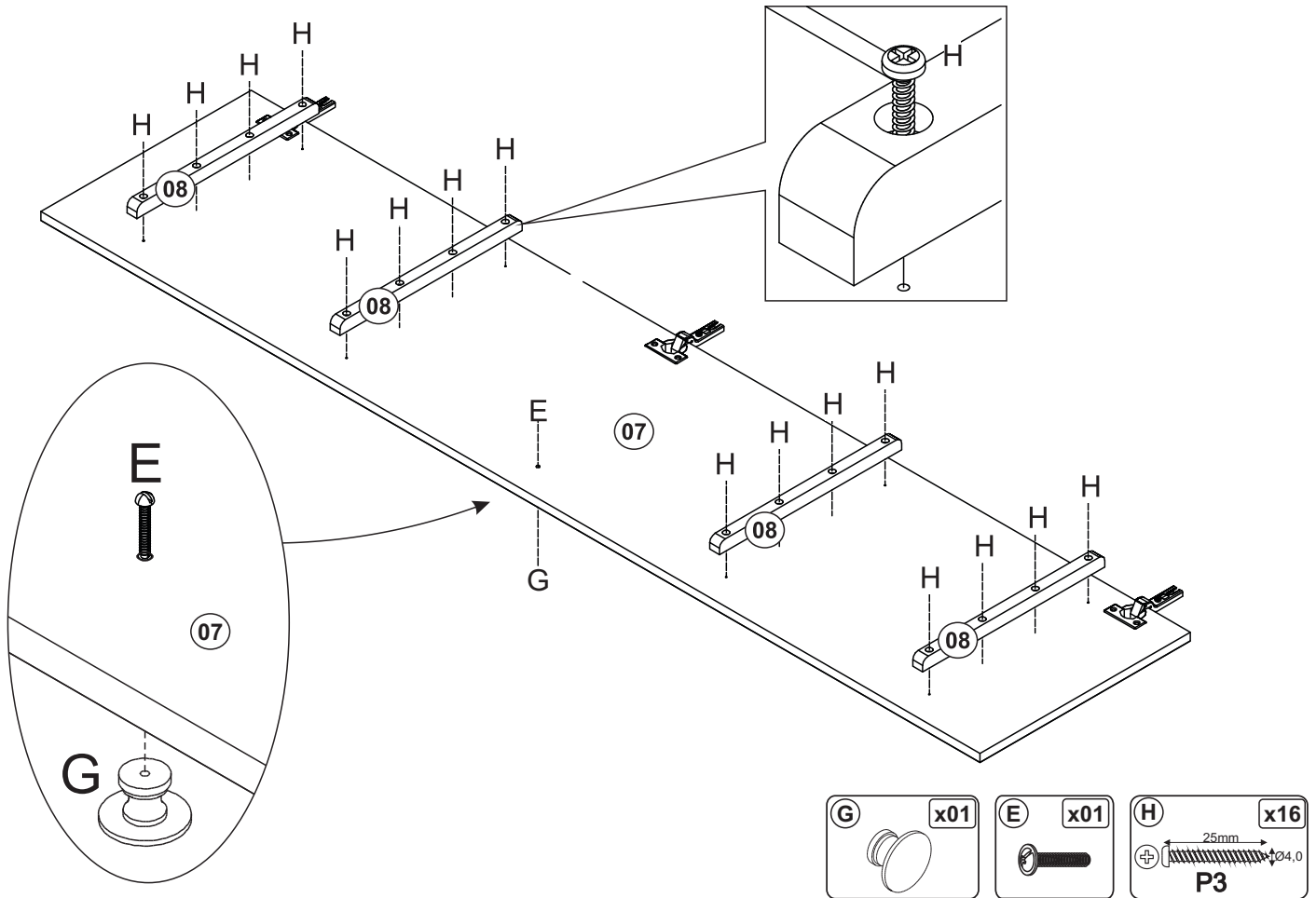
12



13



14



15

